

Mass Notification Emergency Warning Systems



We have you covered.

The power behind **your mission**

EWCIE

The QE20 and T-Gen2 from VIGILANT is the heart of a range of new, sophisticated Emergency Warning Control and Indicating Equipment (EWCIE) and Emergency Warning Systems (EWS).

Drawing on over 100 years of innovation, the QE20 and T-Gen2 product range is powerful, feature-packed, yet easily configured to suit almost any installation requirement. We have you covered.

Grade 1 (QE20)

Usually a completely separate system to the fire panel, with activation of the warning signals controlled by the fire detection alarm system. This system must have individual controls and indication for each zone so that different warning signals can be generated in each zone, plus there must be All-Zone controls for the Alert, Evacuate and Speech functions. It has a phased evacuation and must support the Alert signal to call wardens. Used in medium to large buildings and multi-building infrastructure such as commercial buildings, office blocks, hospitals, shopping centers, airports and educational campuses.

Grade 2 (T-Gen2)

Grade 2 is a multi-zone Emergency Warning System where the activation and silencing of the warning signals may be controlled by the fire alarm panel. A Grade 2 system may have a phased evacuation and may involve an alert signal and/or emergency speech function. Grade 2 systems may be used in buildings under 25 meters in height.

Grade 3 (T-Gen2)

A single evacuation zone (all-out) system where the same warning signal is generated throughout the building. A single storey building may have a single output from the Emergency Warning System wired to all speakers. A small multi-storey building may be configured to have separate outputs per floor. These can be provided by adding 100V Splitter or Switching Modules to the T-Gen2 output, or using Primary T-Gen2 units connected to the Primary T-Gen2. Usually fitted into, controlled and powered by the fire alarm system.

New product, New protection

VIGILANT continues to be synonymous with effective and reliable Mass Notification Systems



Grade 1
Airport
Aged Care/Disability Services



Apartment-Building
Backpackers
Detention Facility
Entertainment Complex



High-Rise
Hospital
Hotel
Shopping Centre



Office-Building
University



Grade 2
Apartment Building
Backpackers
Carpark
Detention Facility
Hotel



Office Building
Warehouse



Grade 3
Residential Care
Apartment Building
Backpackers
Carpark



Detention Facility
Hotel
School Residential
Accommodation



Shopping Centre
Office Building
Warehouse

QE20 EWICIE

The VIGILANT QE20 Emergency Warnings & Intercom Control & Indicating Equipment (EWICIE) is the latest addition to our class leading range of Emergency Warning systems, designed to facilitate the orderly evacuation of a building in the event of an emergency.

The QE20 Grade 1 has a wide range of functions and optional modules to provide a cost effective evacuation system solution.

The QE20 has the following features:

- Up to 224 Front Panel Evacuation Zones
- Independent Alert and Evacuation warning tones and emergency public address
- Clear, intuitive operation
- Modular easy to wire system
- Greater cabinet density
- Four amplifier sizes, D-Class 25W, 60W, 120W and 240W
- High level input options from compatible fire alarm panels
- IP Networked systems for site-wide interconnection
- On-board Service Diagnostics
- Greater audio message flexibility and storage
- Ability to perform complex cascading and customizable voice messaging
- ActivFire Listed to AS428.16 2020 and AS4428.4 2016

The QE20 EWICIE can be used for many types of Mass Notification from fire alarm warning to discrete intruder messages. The QE20 can be combined with an emergency intercom control and indicating equipment (EICIE) compliant to AS4428.4 to provide intercommunications between building zones to aid fire wardens or emergency workers to coordinate evacuation procedures.



T-Gen2



The T-Gen2 Grade2 / 3 tone generator/ amplifier system provides a 100V audio output suitable for wiring to multiple 100V loudspeakers located in the evacuation zone of the building. There are two models available – T-Gen 60 which provides a 60W RMS output and T-Gen 120 which provides 120W RMS.

Both models include:

- 2A supervised strobe output
- 6 Supervised digital inputs
- 4 Open collector outputs
- 2 Line-level audio inputs
- Primary/Secondary operation
- PA Mic audio/PTT input

The T-Gen2 Grade2/3 system can be incorporated as part of the fire panel CIE or as an independent EWS. Up to nine T-Gen2 units can be configured for secondary operation and connected to a primary T-Gen2. The primary will generate up to 3 audio signals and distribute these to all secondary T-Gen2, instructing each which audio signal it should select and amplify to its 100V output.

100V Splitter/Switching Modules

The 100V Splitter module is designed for use with VIGILANT QE20 and T-Gen2 Grade 2/3 systems. The Splitter Module splits 1 x 100V speaker output into four 100V speaker circuits, each with its own supervision for open or short circuit faults. Dual branch wiring of each output is supported.

The 100V Switching Modules are used in a T-Gen2 Grade 2 system to provide multiple areas of paging within a zone or for providing individual zone outputs. A 100V Switching Module has two 100V audio inputs, and these can be controlled by the T-Gen2 to connect to 4 separately supervised short-circuit isolated outputs.

Two 100V Switching Modules can be wired in parallel so up to 3 100V inputs can be switched to four separately supervised short-circuit isolated outputs providing selection of alert, evacuate, speech, or silence for any output.







Don't let fire play
with human life.



At a glance

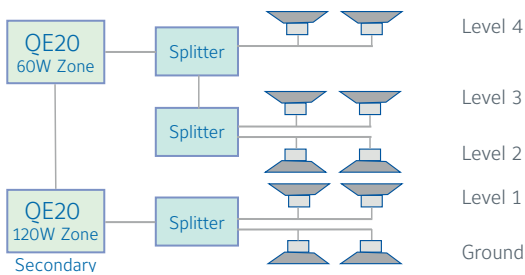
- Grade 1** - Phase evacuation for large multi-zone or multi-building EWS with Evac, Alert, Speech and Cascade functions.
- Grade 2** - Phased evacuation, multi-zone EWS for buildings under 25 meters in height
- Grade 3** - Simple 'all-out' EWCIE for single / small multi-level buildings

Example EWCIE arrangements

QE20

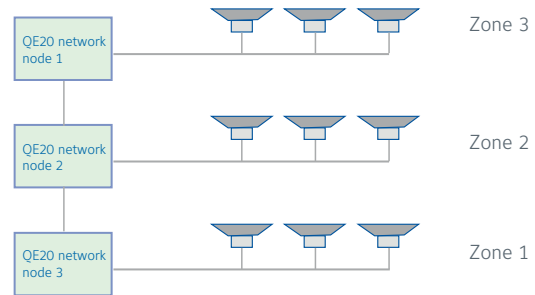
Grade 1

Multi-level, multi-zone, Alert, Evac & Speech per zone, phased Evac, low power (e.g. 0-30W) per zone, 3x T-Gen2 provide 3 Audio buses



Grade 1

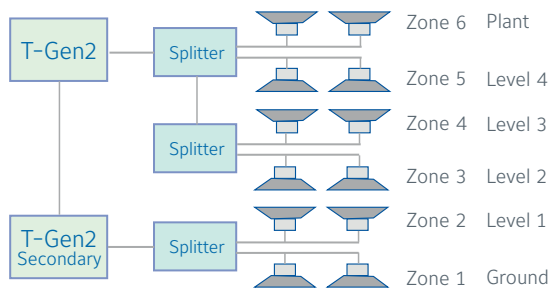
Multi-level, multi-zone, Alert, Evac & Speech per zone, phased Evac, individual T-Gen2 per zone for large load, up to 10 zones



T-Gen2

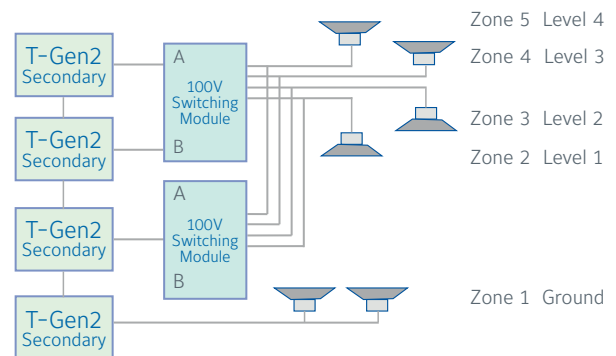
Grade 2

Multi-level, multi-zone, Evac. & Speech to selectable zones (up to 20 zones)



Grade 2

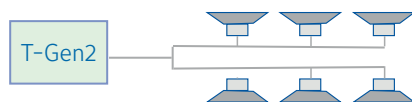
Multi-level, Alert, Evac & Speech per zone



T-Gen2

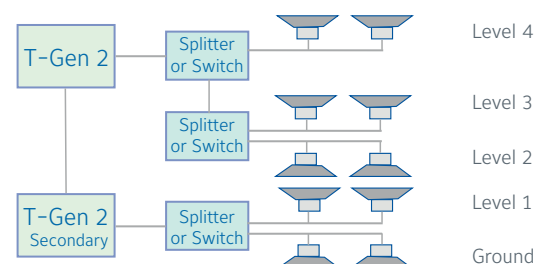
Grade 3

Single zone



Grade 3

Multi-level single evacuation zone with up to 4 paging areas





For more information about Vigilant fire detection technology visit:
www.vigilant-fire.com.au



Australia
Tel: 1300 725 688
Email: fdp.customerservice.anz@jci.com

New Zealand
Tel: +64 9 635 0617
Email: fdp.customerservice.anz@jci.com

The power behind **your mission**

