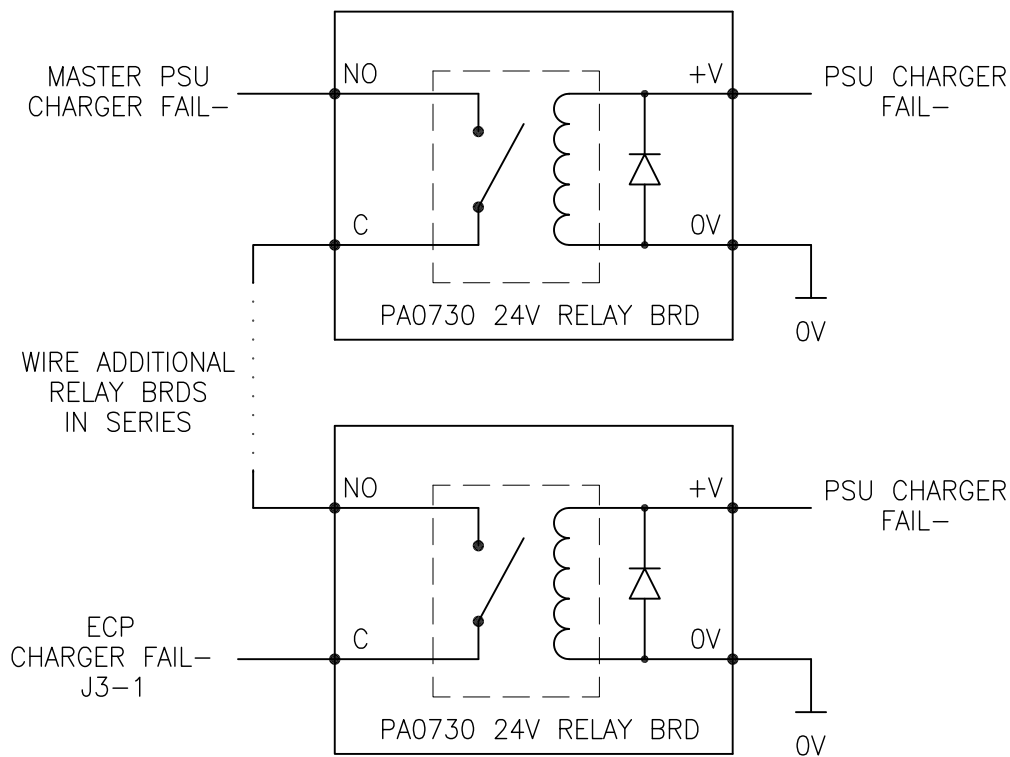
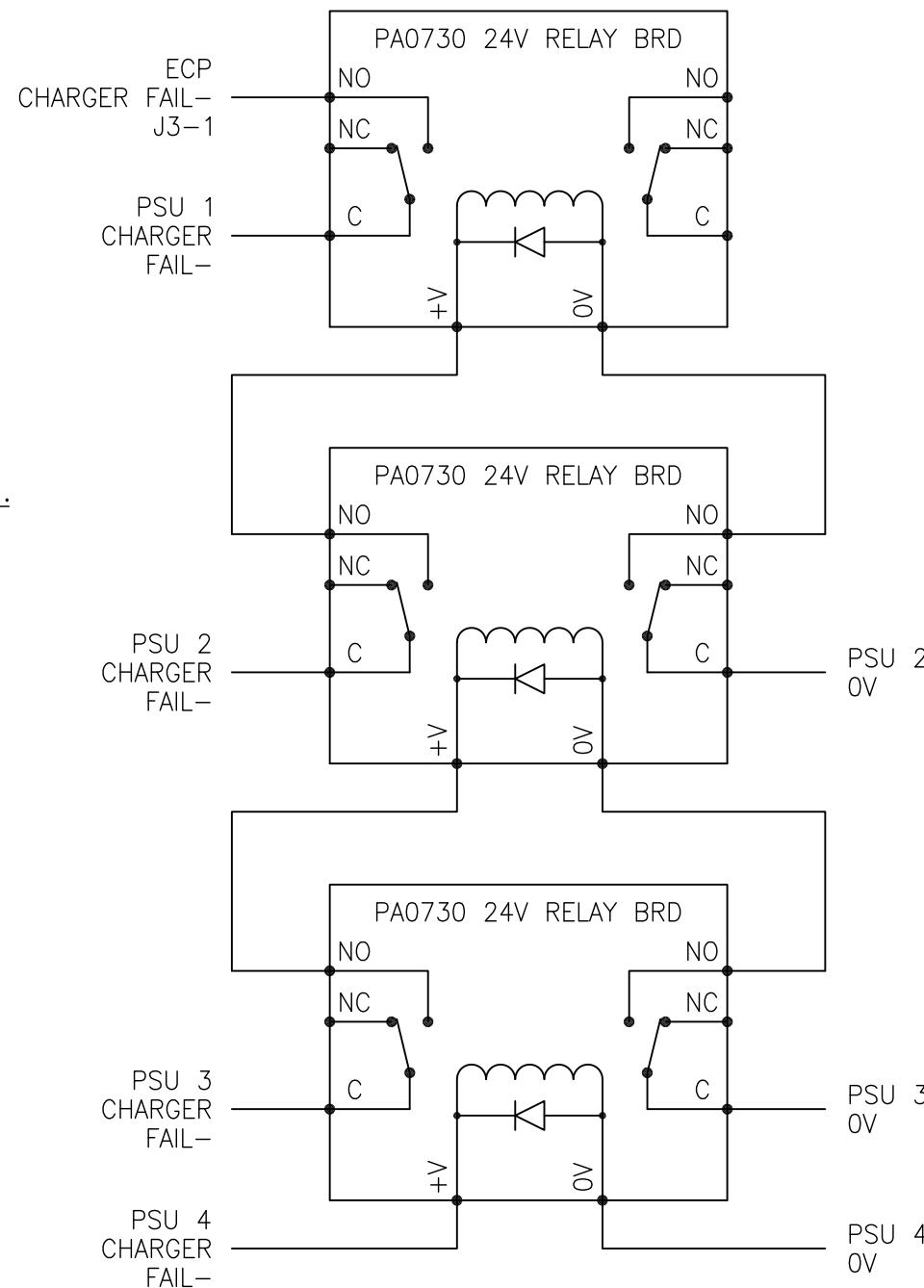


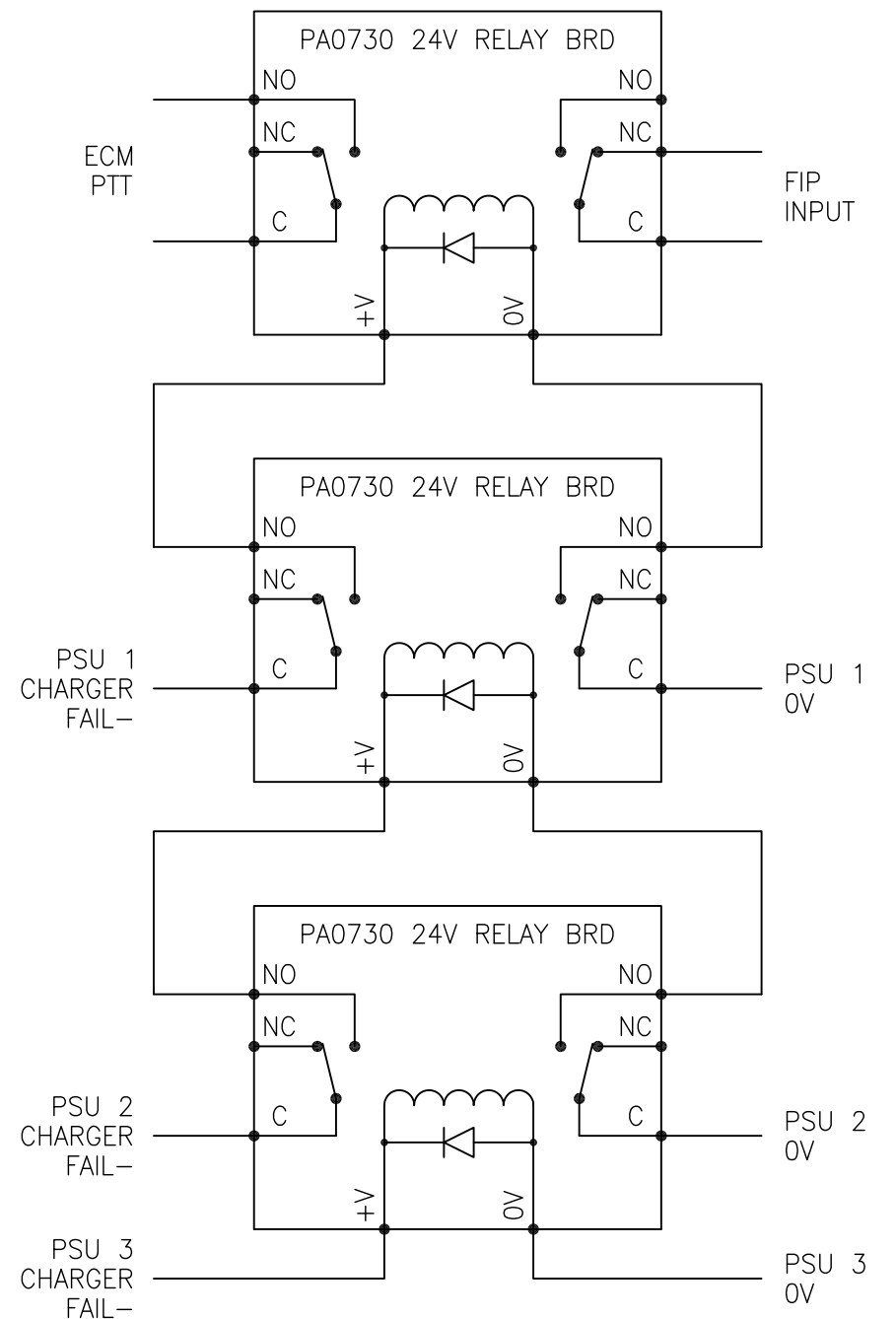
1) MULTIPLE CABINET - FLUORESCENT LIGHT WIRING.



2) MULTIPLE PSU WIRING



3) ALTERNATIVE MULTIPLE PSU CHARGER FLT WIRING FOR ECP



4) ALTERNATIVE MULTIPLE PSU CHARGER FLT WIRING FOR ECM/FIP

CONFIDENTIAL: THIS DOCUMENT MUST NOT BE COPIED NOR THE CONTENTS PASSED ON TO ANY THIRD PARTY WITHOUT THE CONSENT OF THE COMPANY.

UNLESS OTHERWISE STATED: ALL DIMENSIONS IN MILLIMETRES. DO NOT SCALE. TOLERANCES ARE TO BE: 1 DECIMAL PLACE ± 0.5 , 2 DECIMAL PLACES ± 0.3 , 3 DECIMAL PLACES ± 0.1

3rd ANGLE PROJECTION

ISS/REV	AMENDMENTS	ECO	DRN	CHKD	AUTH	APVD	DATE
A	ORIGINAL	-	KJS				7-3-96
B	UPDATED TO SHOW VARIOUS FACTORY BUILDS	5028	KJS	RC	RC	LSC	25-5-17

tyco
Fire Protection Products

TYCO FIRE PROTECTION PRODUCTS
17 MARY MULLER DRIVE
P.O. BOX 19545
CHRISTCHURCH, PH: +64 3 3895096
NEW ZEALAND. FAX: +64 3 3895938

QE90
OPTIONAL WIRING FOR QE90 PANELS
WIRING DETAILS

DRAWING No: 699-180 SHEET 1 of 1

A3 ISS/REV B PART No: QEXXXX