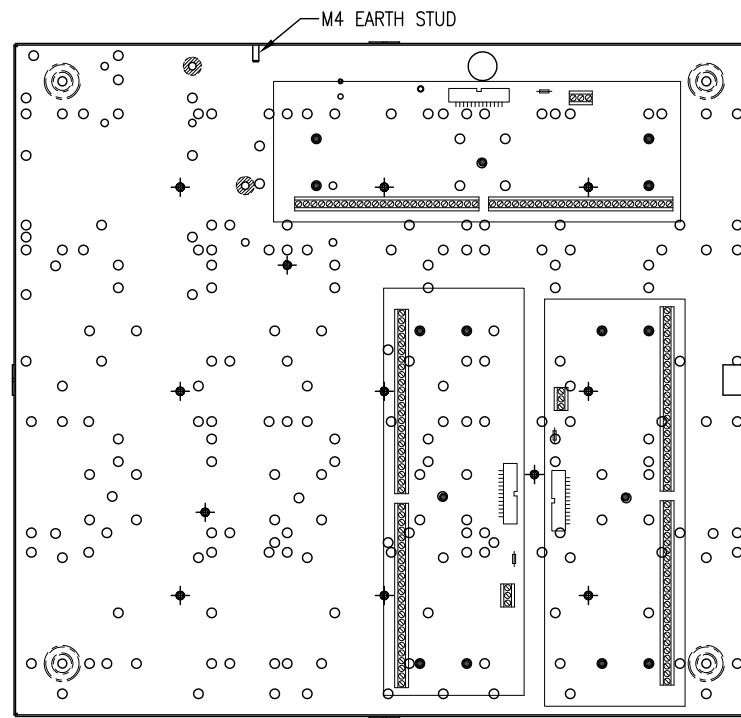
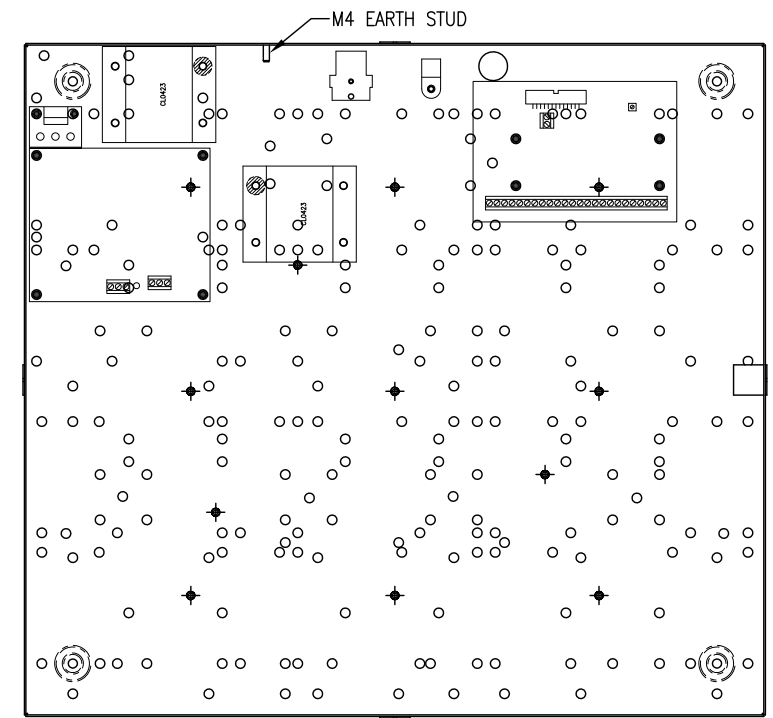


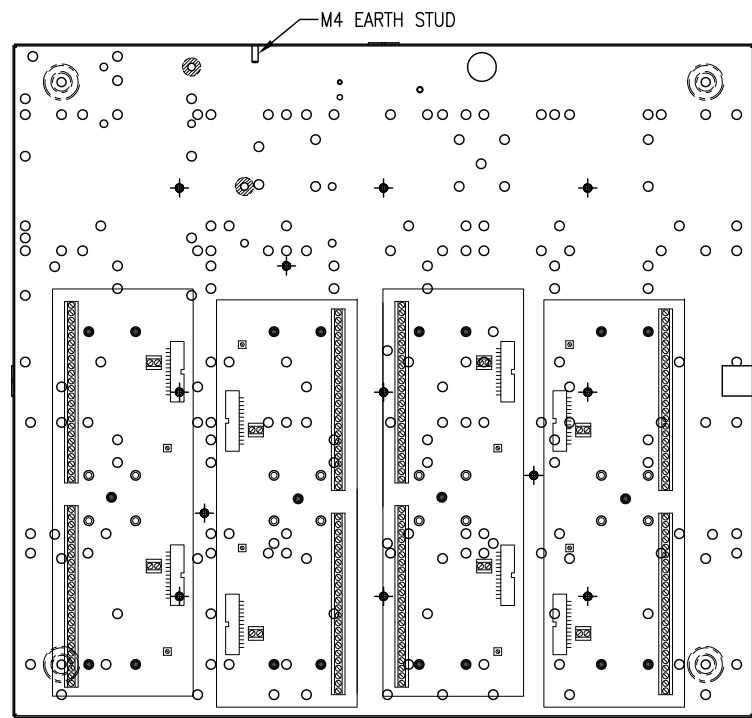
IOR/IO-NET BOARD



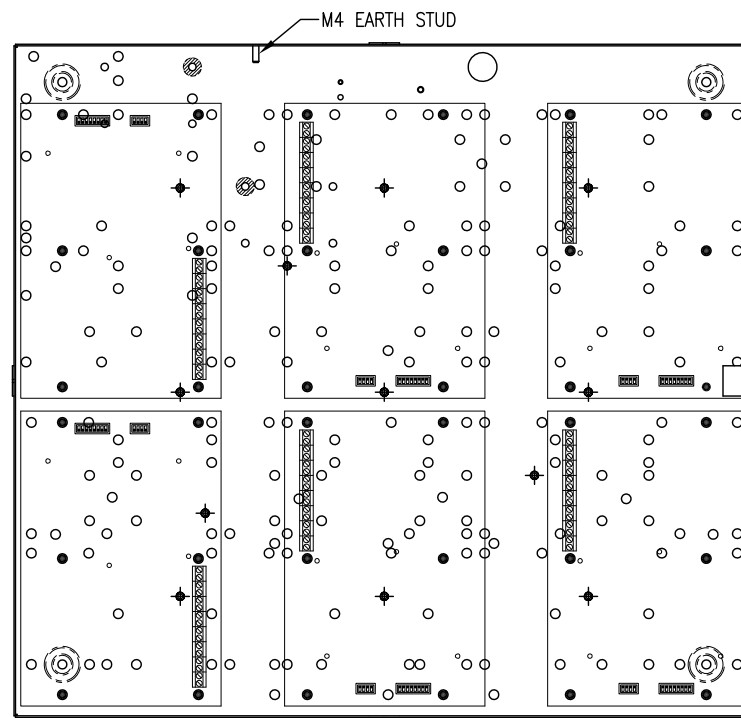
16W RELAY BOARDS



1948 SERIES PSU BOARD AND 16W OUTPUT BOARD



32 WAY INPUT BOARDS



ADR/MPR RESPONDERS

- STANDOFF FITTING DETAIL
- - 13mm STANDOFFS FITTED
 - - EMPTY HOLE
 - ⊕ - M4 INSERT

EARTH PCBs TO NEAREST M4 EARTH INSERT OR STUD.

CONFIDENTIAL: THIS DOCUMENT MUST NOT BE COPIED NOR THE CONTENTS PASSED ON TO ANY THIRD PARTY WITHOUT THE CONSENT OF THE COMPANY.

UNLESS OTHERWISE STATED: ALL DIMENSIONS IN MILLIMETRES. DO NOT SCALE. TOLERANCES ARE TO BE: 1 DECIMAL PLACE ±0.5, 2 DECIMAL PLACES ±0.3, 3 DECIMAL PLACES ±0.1

3rd ANGLE PROJECTION

ISS/REV	AMENDMENTS	ECO	DRN	CHKD	AUTH	APVD	DATE
D	DIM800, MIO800 & MPX FILTER BRD HOLE PATTERNS ADDED.	3928	KJS	GEL	LSC	DVS	14-4-08
E	M4 INSERTS ADDED FOR EARTHING IOR AND TERMINATION BRDS. NOTES UPDATED.	4554	KJS	GEL	LSC	DP	19-3-14
F	QUAD I/O MODULE MOUNTING DETAILS ADDED TO SHEET 2.	4674	KJS	JG	RC	DP	30-9-14

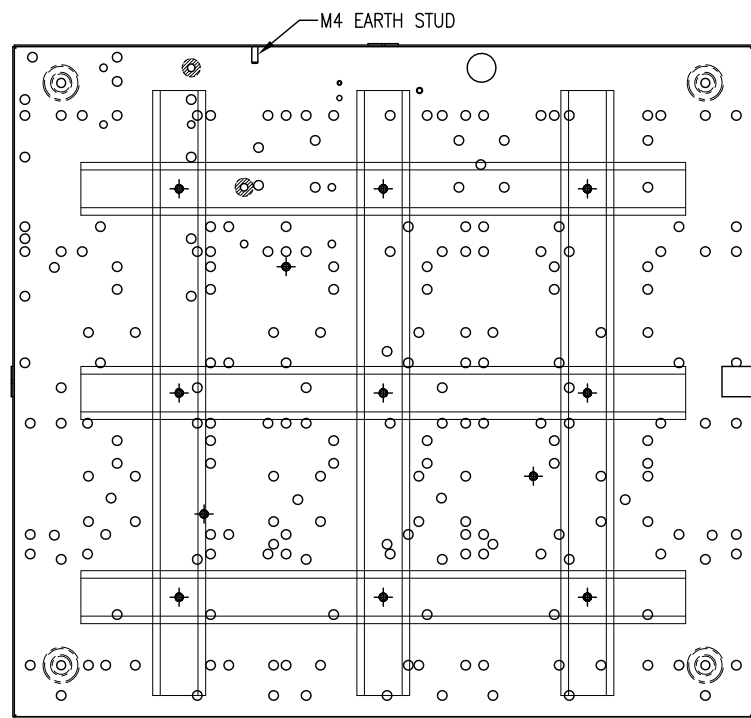
tyco
Fire Protection Products

TYCO FIRE PROTECTION PRODUCTS
17 MARY MULLER DRIVE
P.O. BOX 19545
CHRISTCHURCH, PH: +64 3 3895096
NEW ZEALAND. FAX: +64 3 3895938

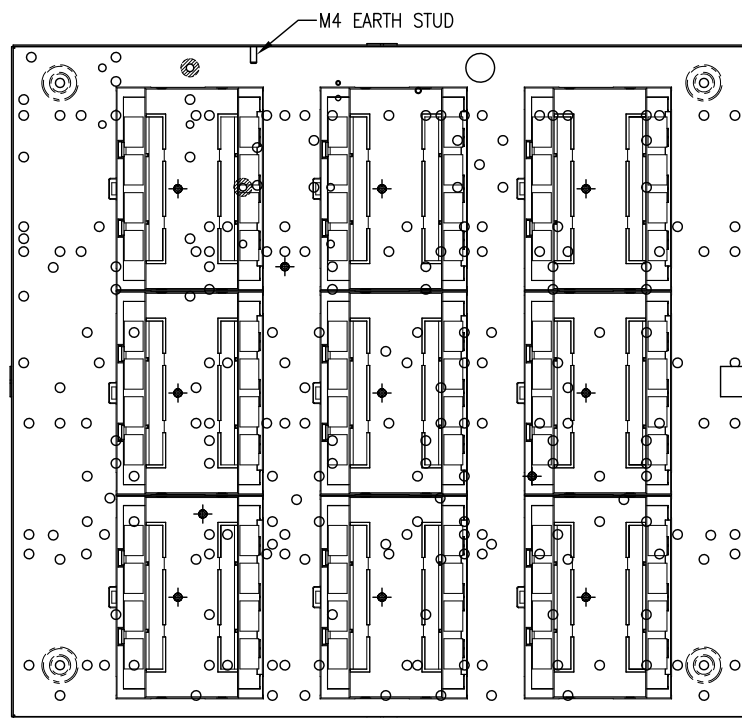
MX4428
IOR / IO-NET CABINET LAY-OUTS
LITERATURE

DRAWING No: 1901-155 SHEET 1 of 2

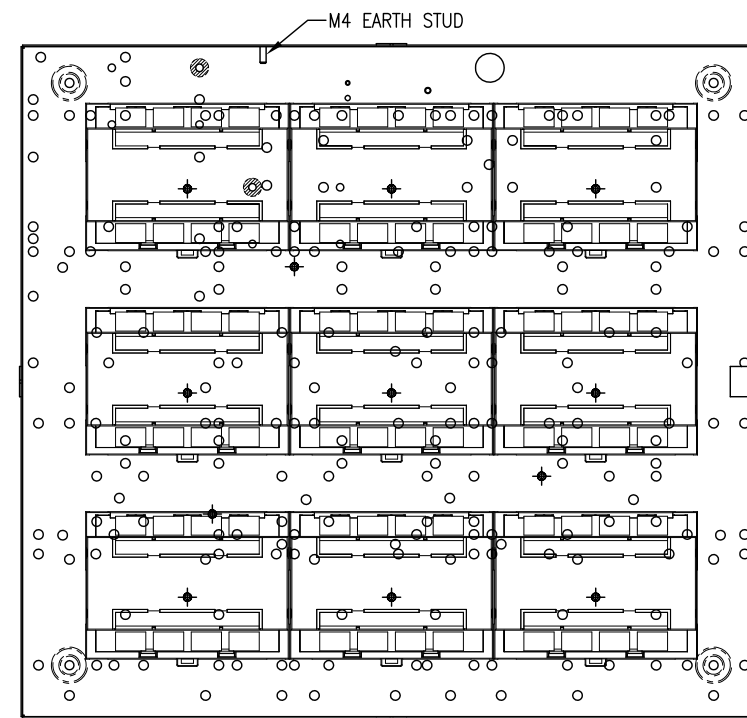
A3	ISS/REV F	PART No: LT0153
-----------	------------------	------------------------



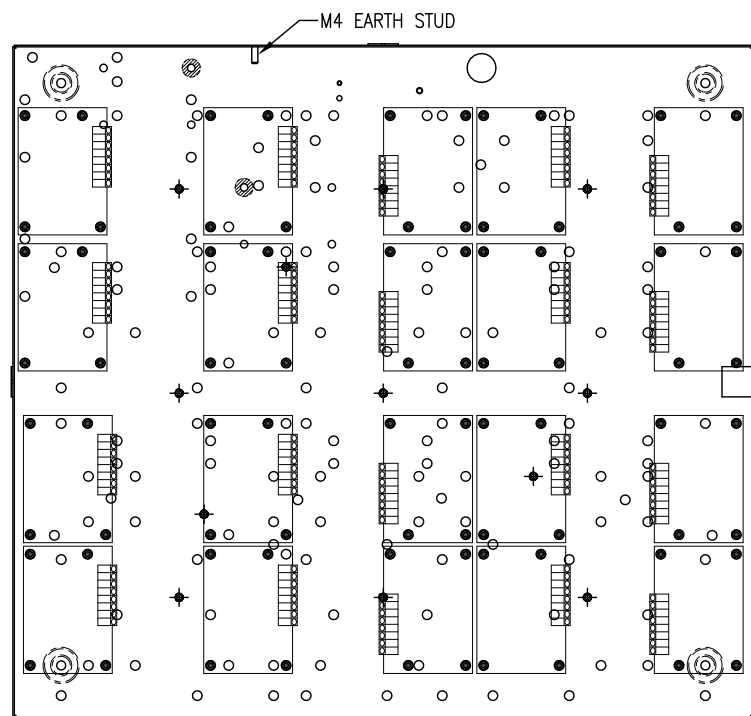
HAT SECTION DIN RAIL MOUNTING
EITHER HORIZONTAL OR VERTICAL



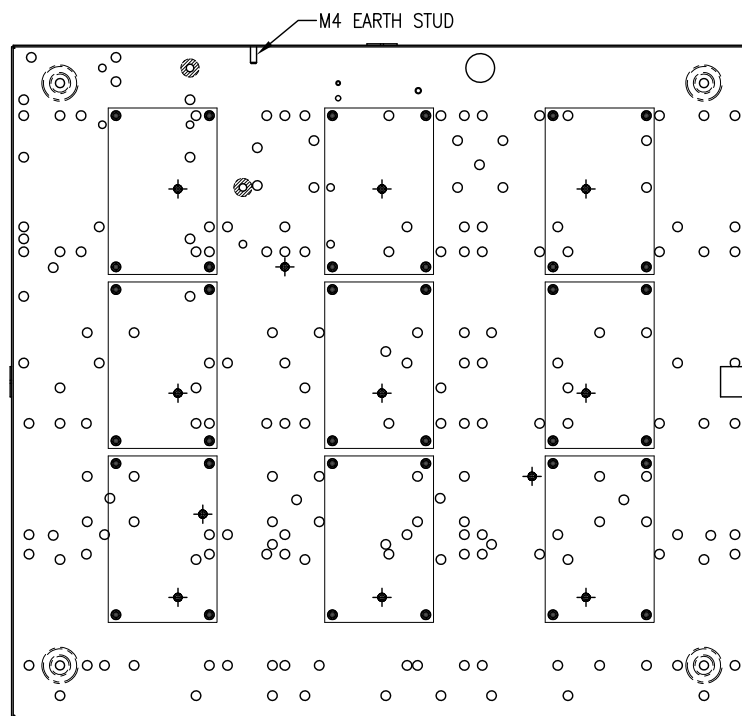
VERTICAL DIN RAIL MOUNTED QUAD MODULES



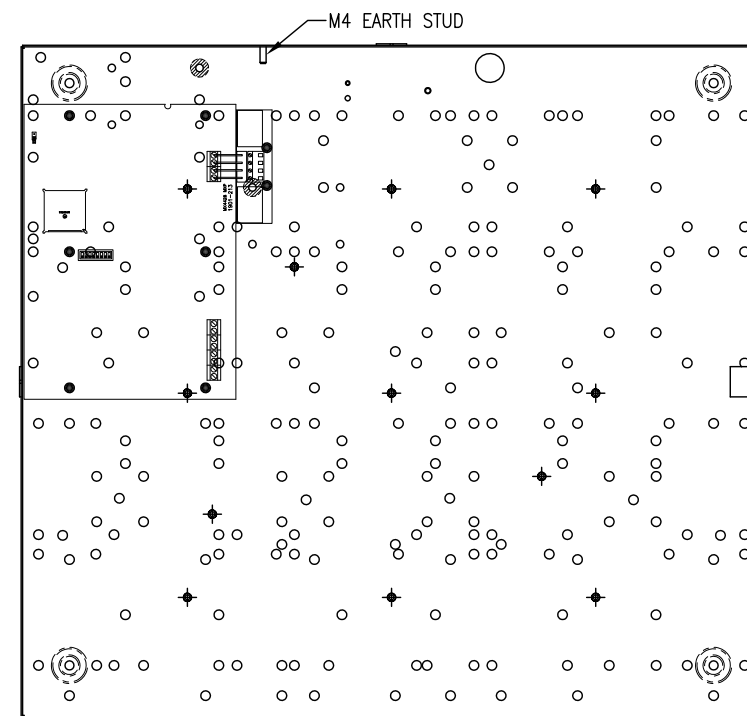
HORIZONTAL DIN RAIL MOUNTED QUAD MODULES



CIM/DIM/DDM/LIM/LPS/RIM/SNM MX MODULES



MIO800 MODULES



MXP AND MXP FILTER BOARDS

CONFIDENTIAL: THIS DOCUMENT MUST NOT BE COPIED NOR THE CONTENTS PASSED ON TO ANY THIRD PARTY WITHOUT THE CONSENT OF THE COMPANY.

UNLESS OTHERWISE STATED: ALL DIMENSIONS IN MILLIMETRES. DO NOT SCALE. TOLERANCES ARE TO BE: 1 DECIMAL PLACE ± 0.5 , 2 DECIMAL PLACES ± 0.3 , 3 DECIMAL PLACES ± 0.1

3rd ANGLE PROJECTION

ISS/REV	AMENDMENTS	ECO	DRN	CHKD	AUTH	APVD	DATE
A	ORIGINAL	3928	KJS	GEL	LSC	DVS	14-4-08
B	M4 INSERTS ADDED FOR EARTHING IOR AND TERMINATION BRDS.	4554	KJS	GEL	LSC	DP	19-3-14
C	QUAD I/O MODULE MOUNTING DETAILS ADDED.	4674	KJS	JG	RC	DP	30-9-14

tyco
Fire Protection Products

TYCO FIRE PROTECTION PRODUCTS
17 MARY MULLER DRIVE
P.O. BOX 19545
CHRISTCHURCH, PH: +64 3 3895096
NEW ZEALAND. FAX: +64 3 3895938

MX4428
IOR / IO-NET CABINET LAY-OUTS
LITERATURE

DRAWING No: 1901-155 SHEET 2 of 2

A3 | ISS/REV C | PART No: LT0153