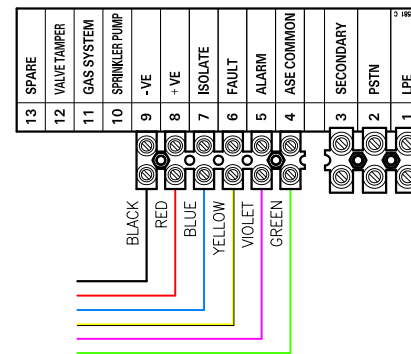
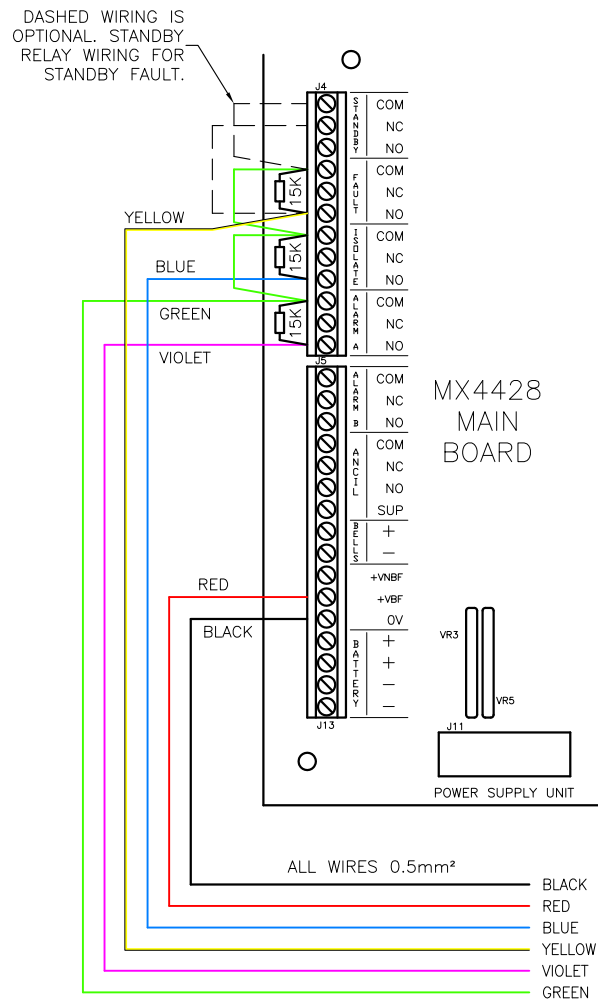


ASE BRACKET ASSEMBLY FOR
15U, 18U, 21U, 28U AND 40U RACK CABINETS

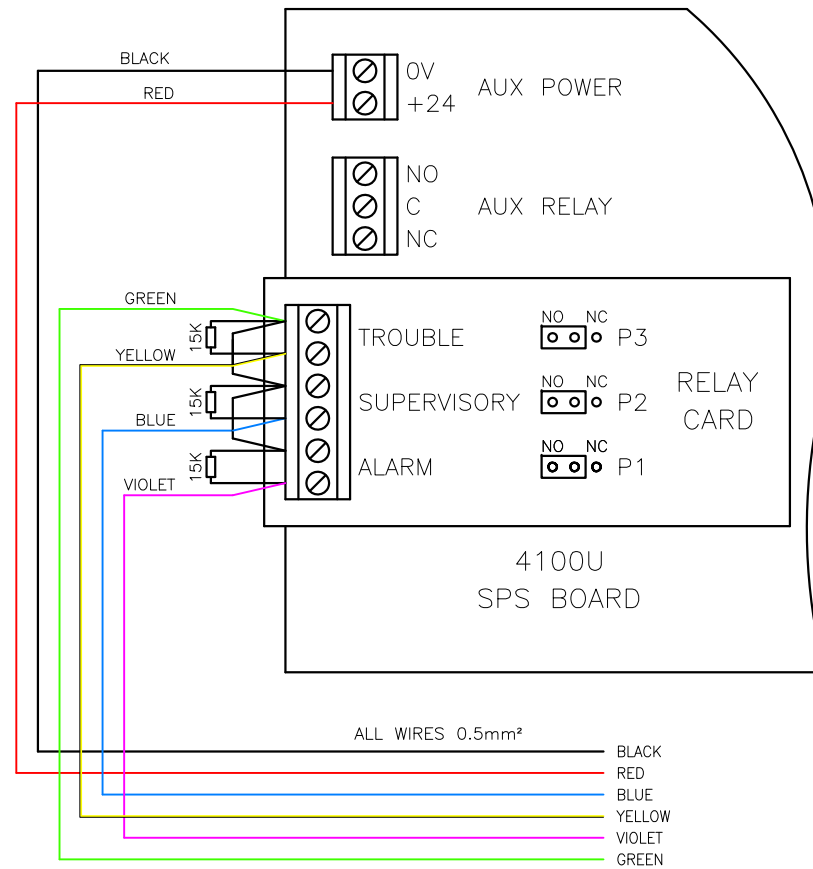


TERMINAL BLOCK ON
BRACKET

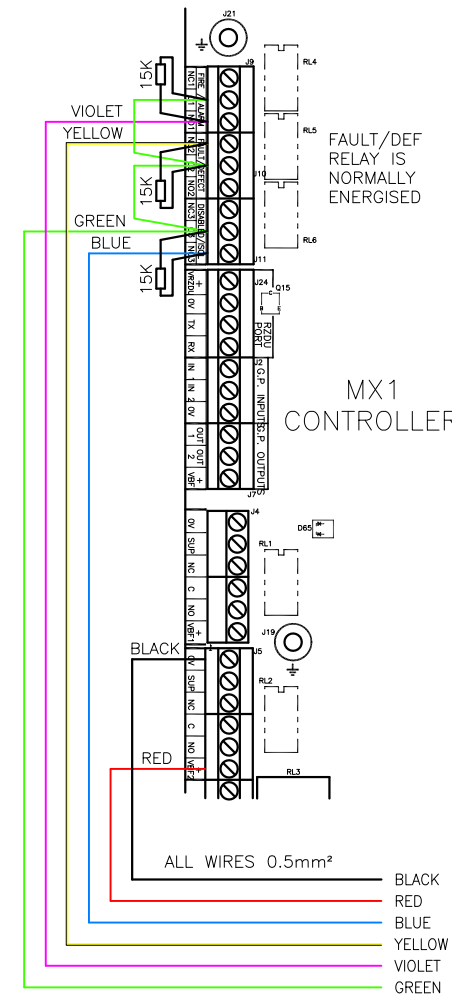


MX4428

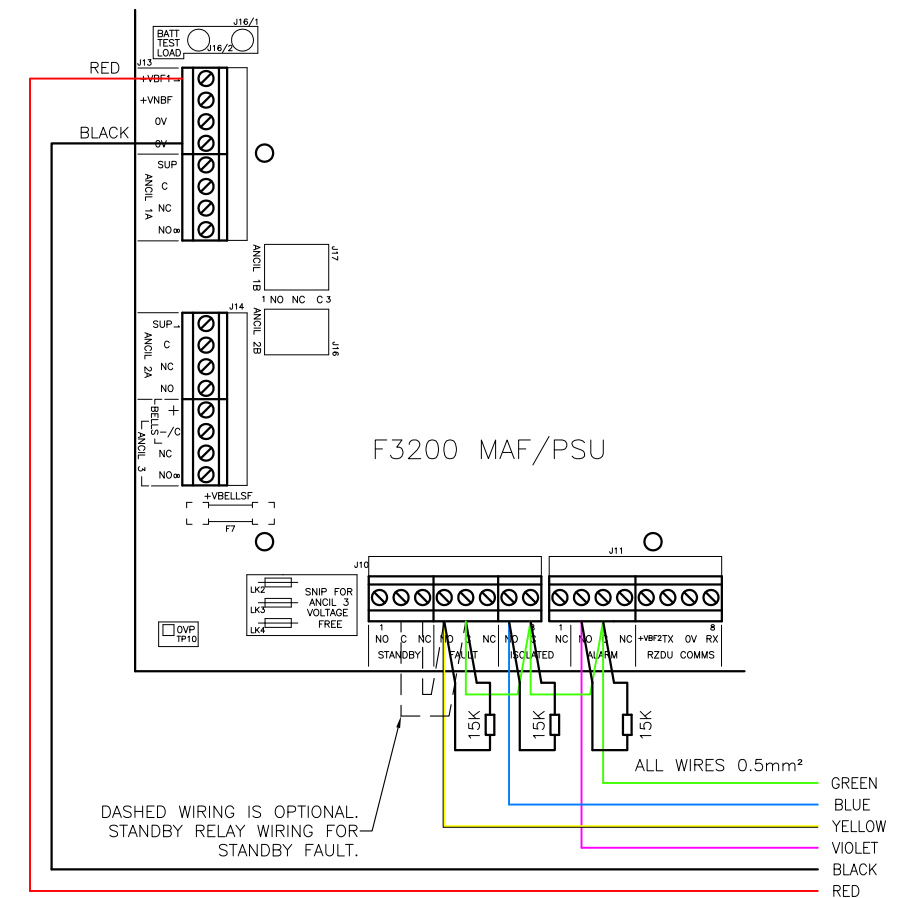
ON RELAY CARD
FIT THE LINKS P1, P2, P3 TO THE NO POSITION
FOR NORMALLY OPEN CONTACTS.
TROUBLE = FAULT
SUPERVISORY = ISOLATE
THE RELAYS ARE NORMALLY DE-ENERGISED
AND ENERGISE ON THE RESPECTIVE STATUS.



4100ES



MX1



F3200

CONFIDENTIAL: THIS DOCUMENT MUST NOT BE COPIED NOR THE CONTENTS PASSED ON TO ANY THIRD PARTY WITHOUT THE CONSENT OF THE COMPANY.

UNLESS OTHERWISE STATED: ALL DIMENSIONS IN MILLIMETRES. DO NOT SCALE. TOLERANCES ARE TO BE: 1 DECIMAL PLACE ±0.5, 2 DECIMAL PLACES ±0.3, 3 DECIMAL PLACES ±0.1

3rd ANGLE PROJECTION

ISS/REV	AMENDMENTS	ECO	DRN	CHKD	AUTH	APVD	DATE
A	ORIGINAL	ESC1309	KJS	GEL	LSC	DP	15-9-08
B	15K RESISTORS ADDED TO WIRING. MTG DETAILS UPDATED FOR WA ASE.	4333	KJS	YZH	RC	DP	4-3-13
C	BRACKET TERMINAL BLOCK & LABEL LB0581 EXTENDED.	5026	KJS	LSC	RC	DC	1-6-17

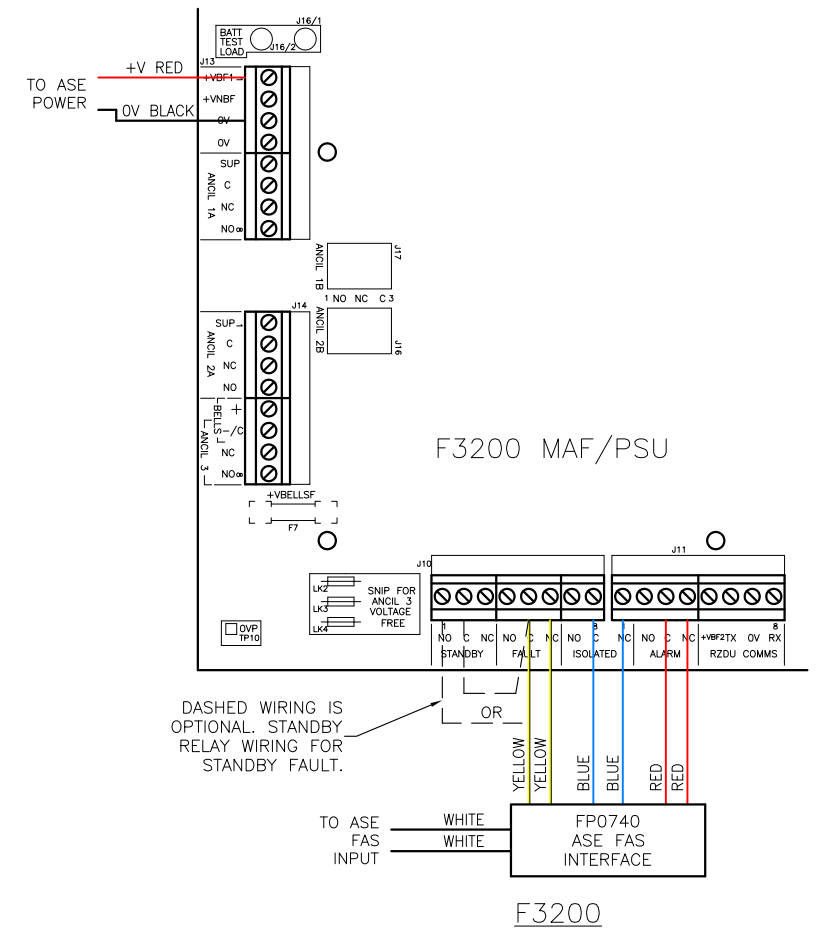
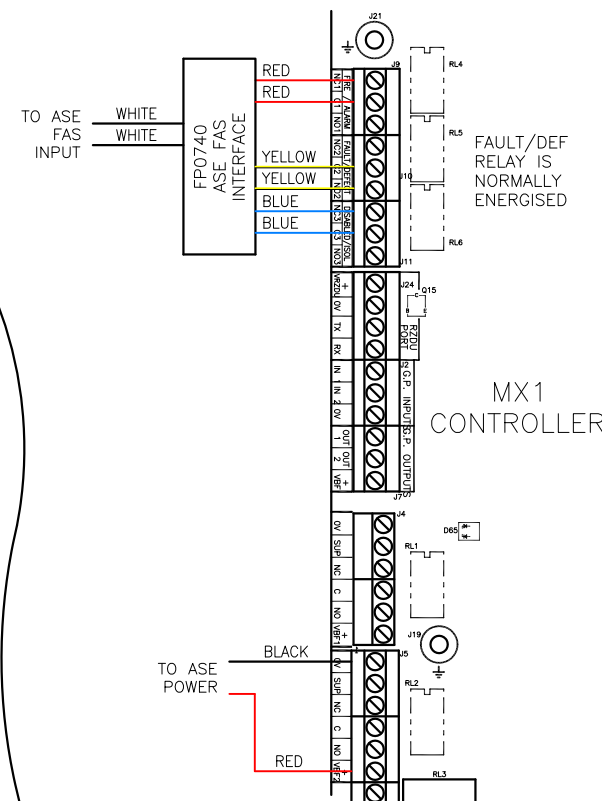
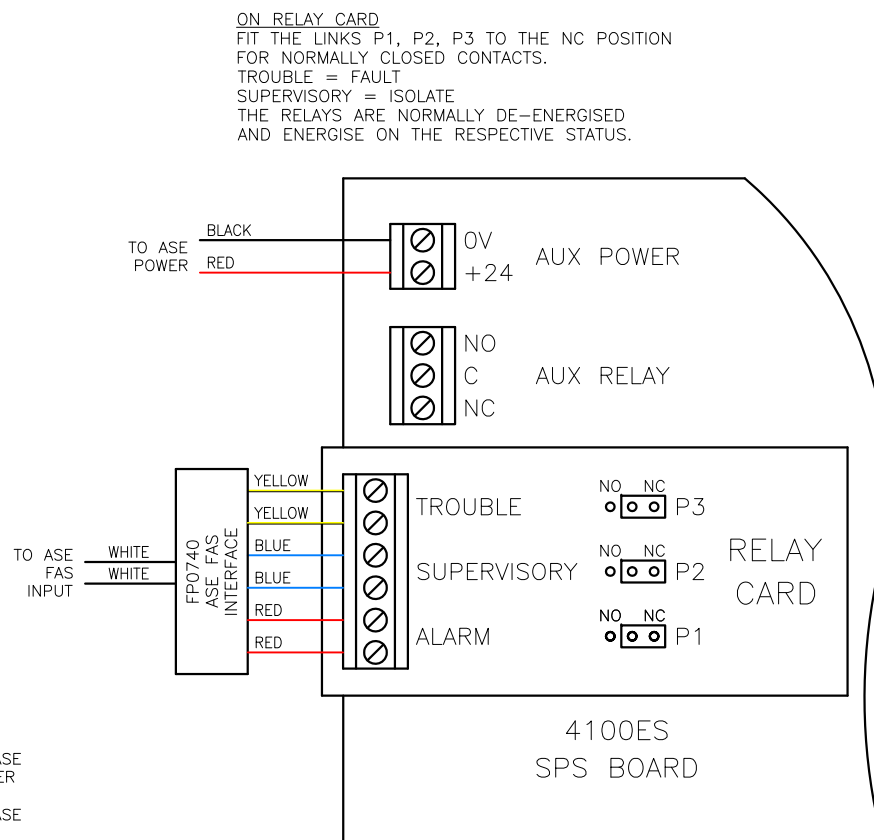
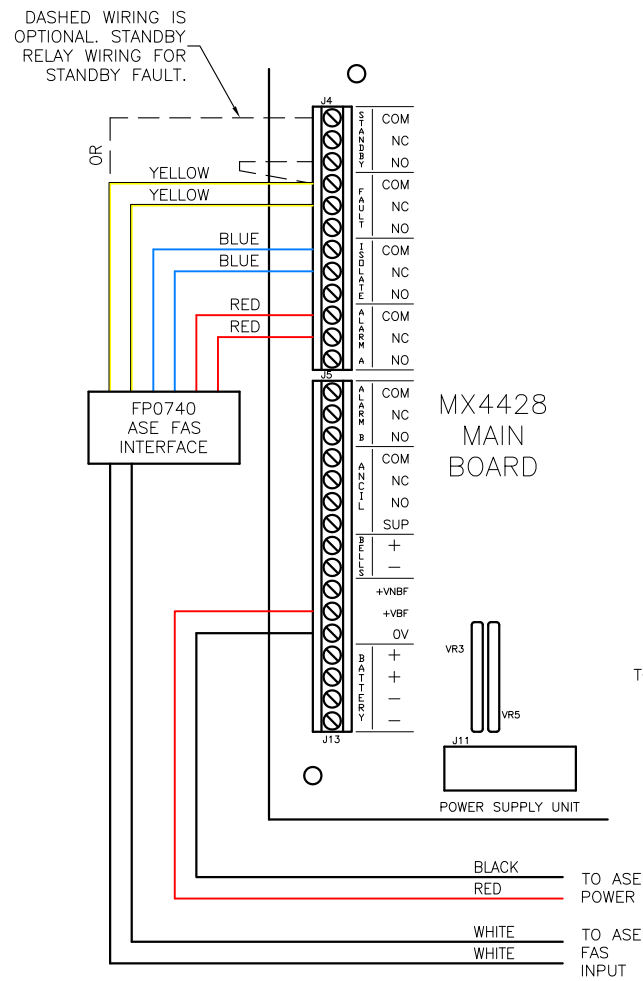
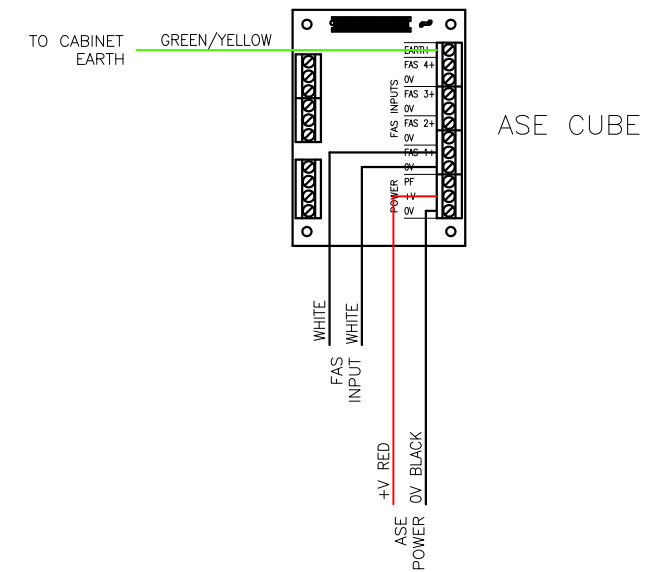
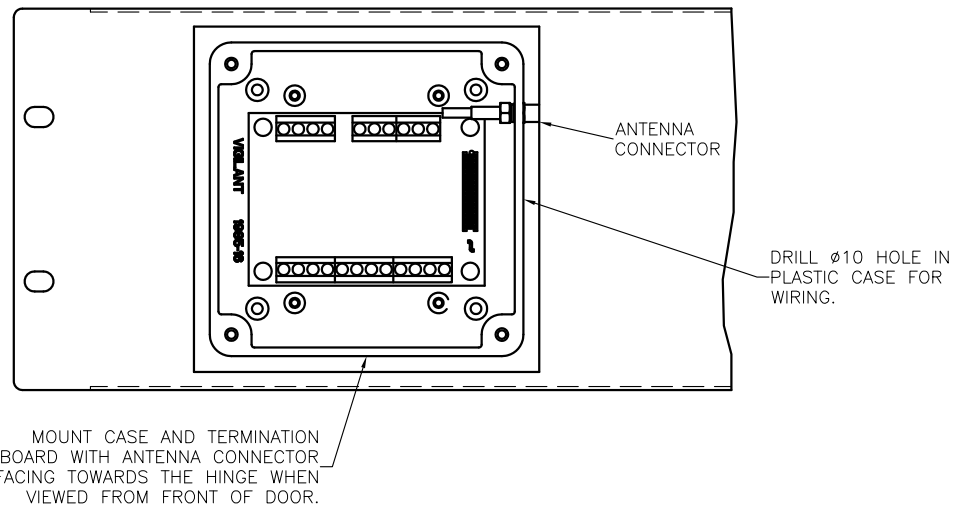
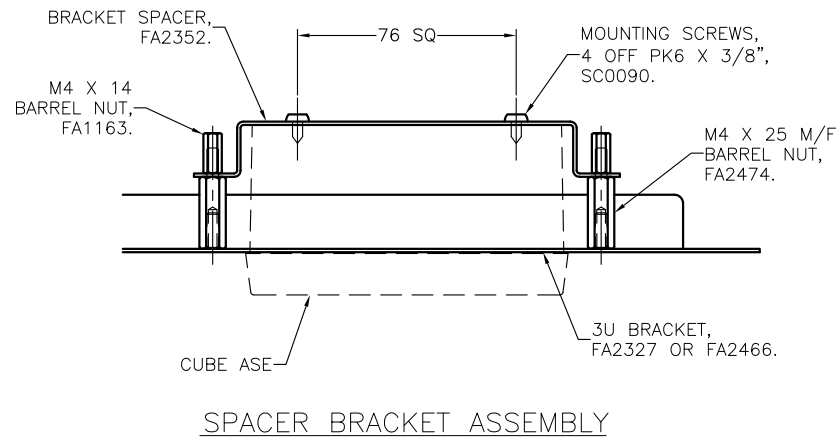
tyco
Fire Protection Products

TYCO FIRE PROTECTION PRODUCTS
17 MARY MULLER DRIVE
P.O. BOX 19545
CHRISTCHURCH, PH: +64 3 3895096
NEW ZEALAND. FAX: +64 3 3895938

WESTERN AUSTRALIAN
ASE TO FIRE PANEL
WIRING AND MOUNTING DETAILS

DRAWING No: 1922-96 SHEET 1 of 2

A2 ISS/REV C PART No: LT0316



CONFIDENTIAL: THIS DOCUMENT MUST NOT BE COPIED NOR THE CONTENTS PASSED ON TO ANY THIRD PARTY WITHOUT THE CONSENT OF THE COMPANY.

UNLESS OTHERWISE STATED: ALL DIMENSIONS IN MILLIMETRES. DO NOT SCALE. TOLERANCES ARE TO BE: 1 DECIMAL PLACE ±0.5, 2 DECIMAL PLACES ±0.3, 3 DECIMAL PLACES ±0.1

3rd ANGLE PROJECTION

- NOTES:
- ALL CONTACTS ARE NORMALLY CLOSED.
 - FP0740 WHITE WIRES MAY BE WHITE AND WHITE WITH BLACK STRIPE, AND ARE INTER CHANGEABLE.

ISS/REV	AMENDMENTS	ECO	DRN	CHKD	AUTH	APVD	DATE
A	ORIGINAL	ESC1309	KJS	GEL	LSC	DP	15-9-08
B	WIRING MODIFIED TO SUIT ASE CUBE.	4058	KJS	HW	RC	DP	11-8-09
C	UPDATED FOR 4100ES.	4333	KJS	YZH	RC	DP	4-3-13

tyco
Fire Protection Products

TYCO FIRE PROTECTION PRODUCTS
17 MARY MULLER DRIVE
P.O. BOX 19545
CHRISTCHURCH, PH: +64 3 3895096
NEW ZEALAND. FAX: +64 3 3895938

CUBE ASE TO FIRE PANEL
WIRING AND MOUNTING DETAILS

DRAWING No: 1922-96 SHEET 2 of 2

A2 ISS/REV C PART No: LT0316