

# T-Gen2 Emergency Warning System



We have you covered.

The T-Gen2 from VIGILANT is the heart of a range of new, sophisticated Emergency Warning Systems (EWS) complying with NZS 4512 and AS 4428.16. Drawing on over 100 years of innovation, T-Gen2 is powerful, feature-packed, yet easily configured to suit almost any installation requirement. We have you covered.

## NEW PRODUCT, NEW PROTECTION

VIGILANT continues to be synonymous with effective and reliable Emergency Warning Systems

### Grade 3

A single evacuation zone (all-out) system where the same warning signal is generated throughout the building. A single storey building may have a single output from the Emergency Warning System wired to all speakers. A multi-storey building may be configured to have separate outputs per floor. These can be provided by adding 100V Splitter or Switching Modules to the T-Gen2 output, or using Slave T-Gen2 units connected to the Master T-Gen2. Usually fitted into, controlled and powered by the fire alarm system.

### Grade 2

Grade 2 is a multi-zone Emergency Warning System where the activation and silencing of the warning signals may be controlled by the fire alarm panel. A Grade 2 system may have a phased evacuation and may involve an alert signal and/or emergency speech function.



Residential Care  
Apartment Building



Backpackers



Carpark  
Detention Facility



Hotel



School Residential  
Accommodation



Shopping Centre



Office Building



Warehouse



Apartment Building



Backpackers



Carpark



Detention Facility



Hotel



Office Building



Warehouse



## T-Gen2

The T-Gen2 tone generator/amplifier module provides a 100V audio output suitable for wiring to multiple 100V loudspeakers located in the evacuation zone of the building. There are two models available – T-Gen 60 which provides a 60W RMS output and T-Gen 120 which provides 120W RMS. Both models include:

- 2A supervised strobe output
- 6 Supervised digital inputs
- 4 Open collector outputs
- PA Mic audio/PTT input
- 2 Line-level audio inputs
- Master/Slave operation

### 100V Splitter/Switching Modules

A 100V Splitter Module takes a T-Gen2 100V output and splits it into 4 separately supervised short-circuit isolated outputs (e.g.. for different levels of the building).

A 100V Switching Module has 2 100V audio inputs, and these can be controlled by the T-Gen2 to connect to 4 separately supervised short-circuit isolated outputs for area paging, separate zones, etc.

Two 100V Switching Modules can be wired in parallel so up to 3 100V inputs can be switched to 4 separately supervised short-circuit isolated outputs providing selection of alert, evacuate, speech, or silence for any output.

### Slave T-Gen2

Up to nine T-Gen2 units can be configured for slave operation and connected to a master T-Gen2. The master will generate up to 3 audio signals and distribute these to all slave T-Gen2, instructing each which audio signal it should select and amplify to its 100V output.



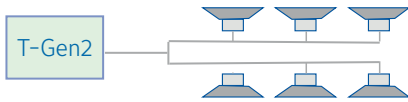
# At a Glance

Grade 3 - simple 'all-out' EWS for single/multi-level buildings

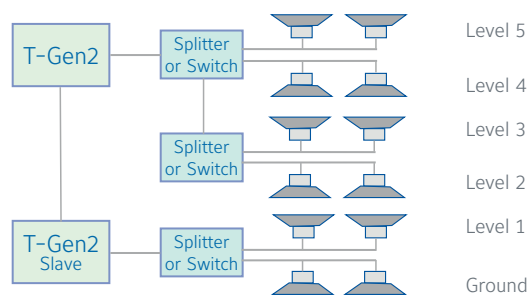
Grade 2 - phased evacuation, multi-zone EWS for buildings

## Example T-Gen2 Arrangements

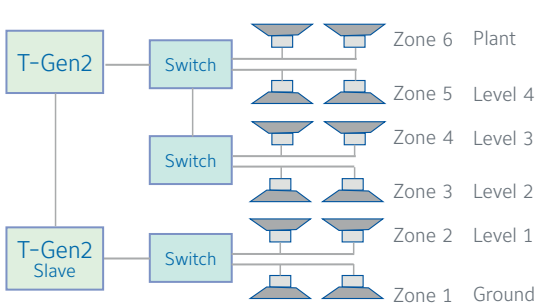
Grade 3  
Single zone



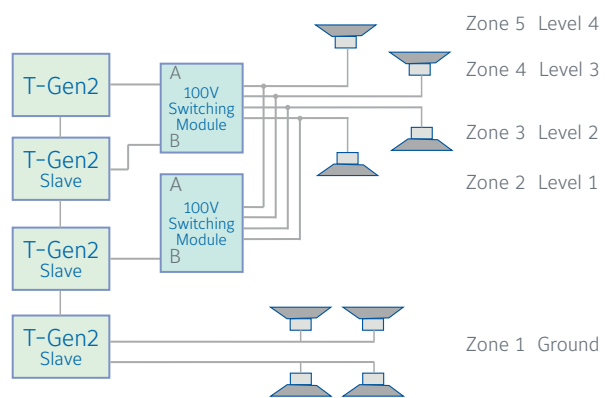
Grade 3  
Multi-level single evacuation zone with up to 4 paging areas



Grade 2  
Multi-level, multi-zone, Evac. & Speech to selectable zones (up to 20 zones)



Grade 2  
Multi-level, Alert, Evac & Speech per zone



Australia Level 3, 95 Coventry Street Southbank VIC 3006 Tel: 1300 725 688 Tel: +61 3 9313 9700 Email: fdp.customerservice.anz@jci.com  
 New Zealand 17 Mary Muller Drive Hillsborough PO Box 19-545 Woolston Christchurch 8241 Tel: +64 9 635 0617 Email: tsp.sales.nz@tycoint.com

VIGILANT, a respected regional brand of Johnson Controls, is a technology leader in the Australian and New Zealand fire detection markets with AS and NZS product approvals. The VIGILANT product line includes a comprehensive range of MX TECHNOLOGY fire detection products and market-leading voice evacuation systems. VIGILANT product is widely supported throughout Australia and New Zealand by a network of installation companies, service companies and distributors.

© 2018 Johnson Controls. All rights reserved. All specifications and other information shown were current as of document revision date and are subject to change without notice.

EWSBroVIG1811 November 2018

www.vigilant-fire.com.au

