

## Grade 2 Emergency Warning Control & Indicator Equipment (EWCIE) Sales Presentation

# Grade 2 Overview

---

- Used where separate or phased evacuation signals are required to multiple evacuation zones in buildings up to 25m high.
- May be used in taller buildings where the NCC doesn't require a grade 1 solution and warden controlled evacuation isn't possible.
- Activation and silencing of the warning signals may be controlled by the fire alarm panel.
- Generally an Alert tone is not used in a Grade 2 system.
- It must be powered separately to the fire panel.
- Grade 2 systems would be suitable for:
  - Apartment Buildings
  - Hotels
  - Backpackers / Hostels
  - Office Buildings
  - Carparks
  - Warehouse



# Differences between Grade 2 & Grade 3 Systems

---

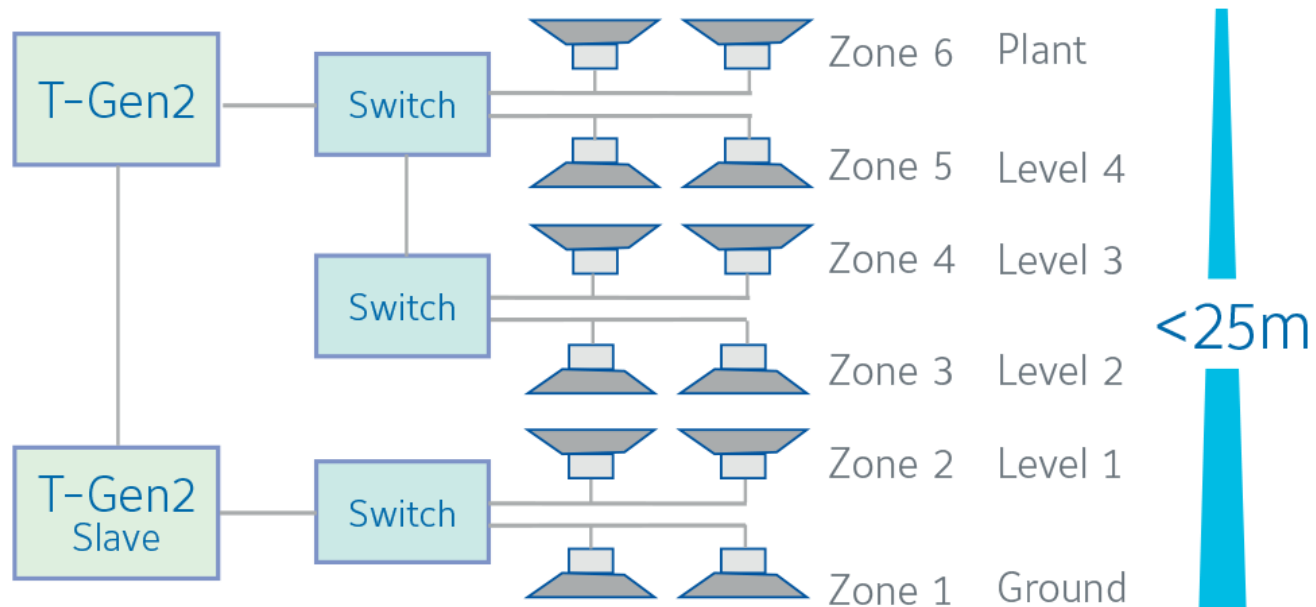
Grade 2 Features	Grade 3 Features
Grade 2 supports up to 20 Zones	Grade 3 is a single evacuation zone (all-out) system
Phased Evacuation	Grade 3 does not support phased evacuation
Evac per zone and All Speech at minimum, Alert Optional	Single function (Alert / Evac) to whole building
Requires at least All Evac Control & Speech Microphone	No controls at minimum
Requires independent power source	May use the FIP power supply



# Grade 2 Arrangements

## Grade2

Multi-level, <25m, Evac. & Speech to selectable zones

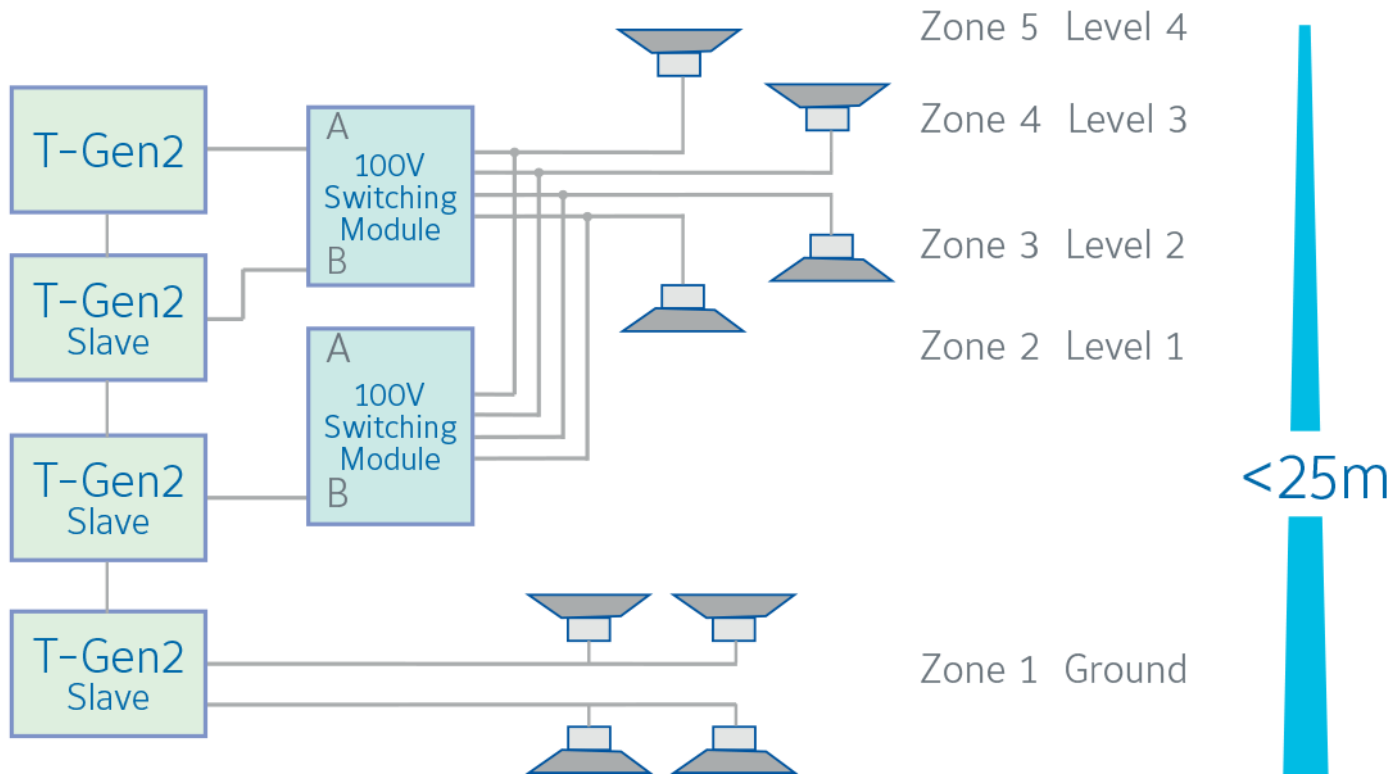




# Grade 2 Arrangements

## Grade2

Multi-level, <25m, Alert, Evac & Speech per zone



# Features of T-Gen2 60W & 120W Amplifiers

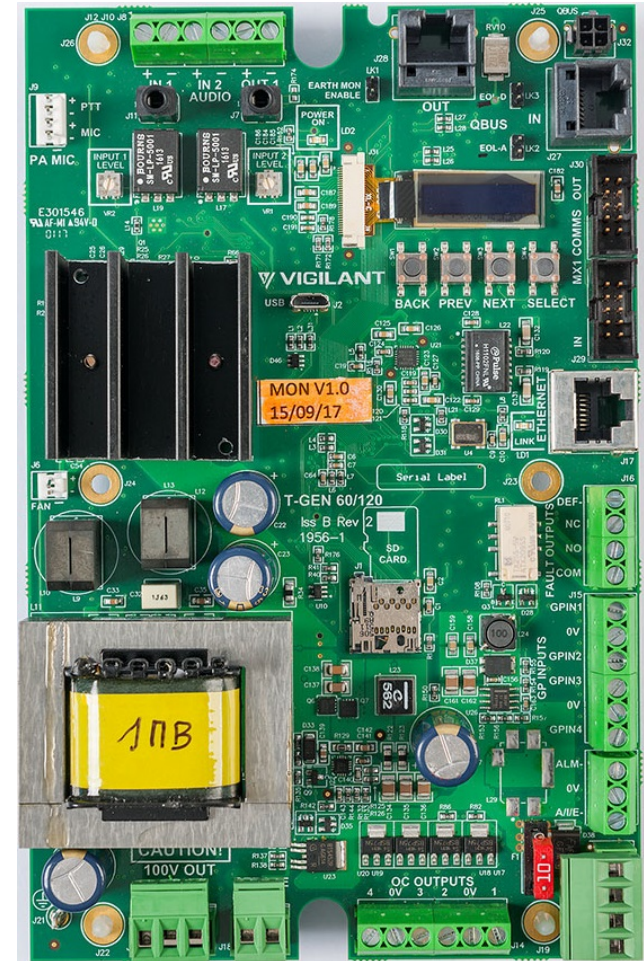
- 60W RMS or 120W RMS 100V output.
- Complies with AS 4428.16 (AFP 3315) and NZS 4512:2010
- Pre-recorded Alert and Evacuate messages
- Digital storage of tones / recordable messages
- Direct microphone connection for optional speech Mic
- Supports optional Grade 2 User Interface & supervised Microphone



T-Gen 120 Amplifier

# Features of 60W & 120W Amplifiers

- T-GEN 60 has the same footprint and mounting holes as a T-GEN 50 for easy upgrades
- 2 line-level Audio line inputs for functions like background music, etc
- 6 Supervised digital inputs for triggering alarm conditions, activating recorded messages or tones, audio inputs or fault conditions
- On board O-LED Display for fault diagnostics and default programming for fast set up
- 2 amp supervised Strobe output suitable for driving a number of evacuation strobes

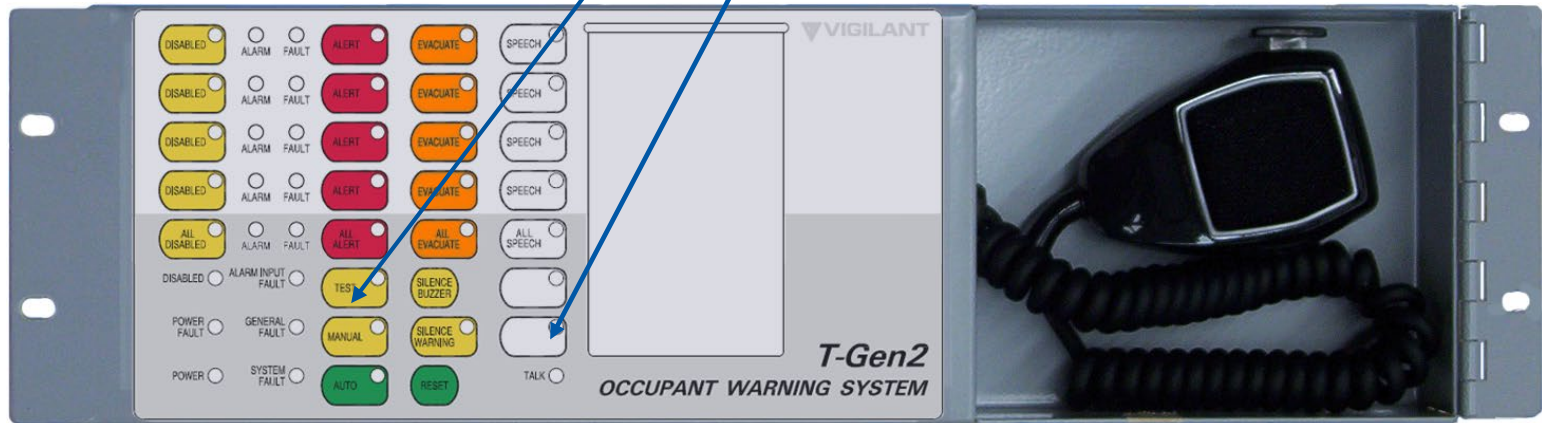


T-Gen 60 Amplifier

# Grade 2 User Interface

Test Mode for alarm Simulation

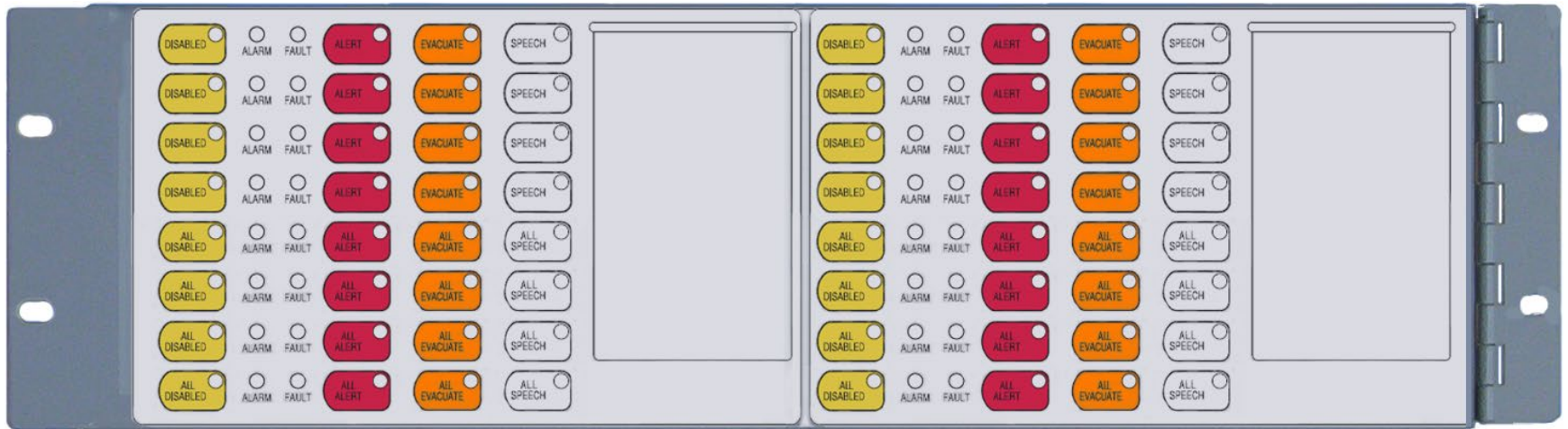
2 Programmable buttons for messages



- Alert, Evacuate, Speech and Disable controls and indications for each of the first 4 zones
- Alert, Evacuate, Speech and Disable controls and indications for all zones
- 2 programmable buttons for playing messages
- Test Mode to observe operation with no sounds/strobes activated
- Can be fitted into a MX4428, F3200, MX1 or Simplex 4100ESi panel
- Alarm simulation in Test Mode



# Grade 2 User Interface Extender Door



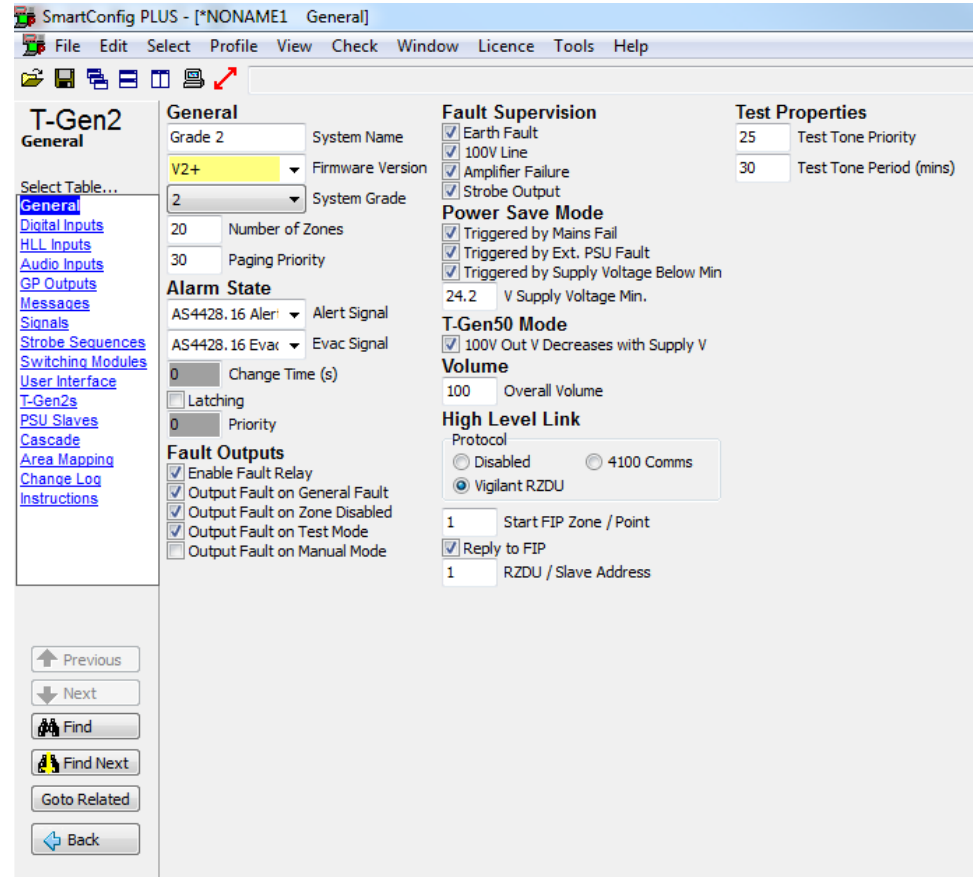
The Grade 2 User Interface Extender Door is a 19 inch 3U assembly.

- The 4 zones of User Interface can be expanded to 12 zones by adding the 3U 16 zone door
- An additional 8 zones of User Interface can be added (to make 20 zones in total) by fitting the 8 Zone Extender kit to the unfilled area on the door

# SmartConfig V2.8.0.0

SmartConfig can be used to configure the T-Gen2

- EASY to use with a simple setup involving drop down box or tick box selection
- Software is available from public side of the fireplace website
- Built-in Help menu (F1 key) and Instructions page
- Data Transfer is via a Micro USB cable
- Phased Evacuation available for Grade 2 systems only







# Remote Paging Console

---

A 4 zone & 16 zone paging console can be used to provide optional remote zone paging for a Grade 2 system or standalone T-Gen2, configured with a 100V Switching module.

Paging console interfaces via a CAT5e cable with a maximum distance of 300m to an Audio Switcher module

Audio Switcher is powered by the EWS or fire panel 24V PSU and wired to T-Gen2 inputs



A 4488 Paging Console

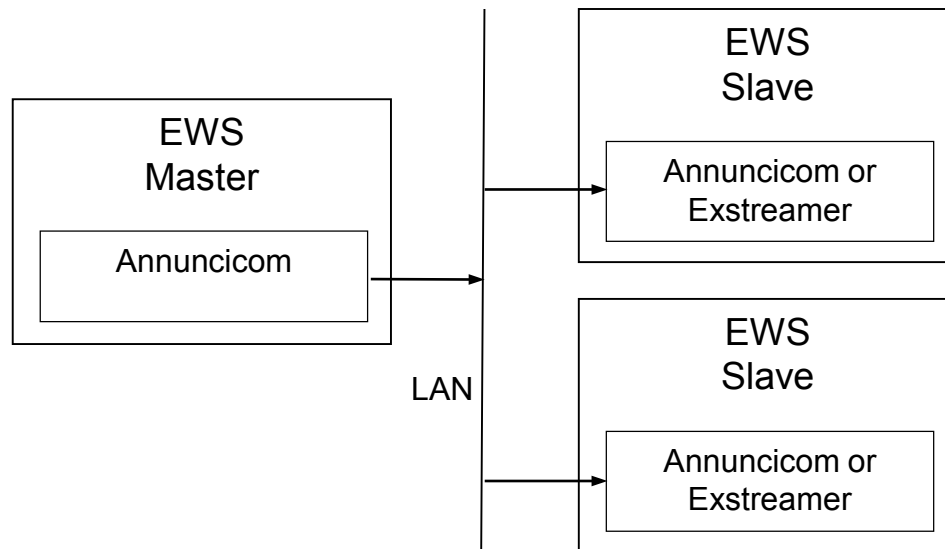
A 4489 Audio Switcher



# IP Networking

---

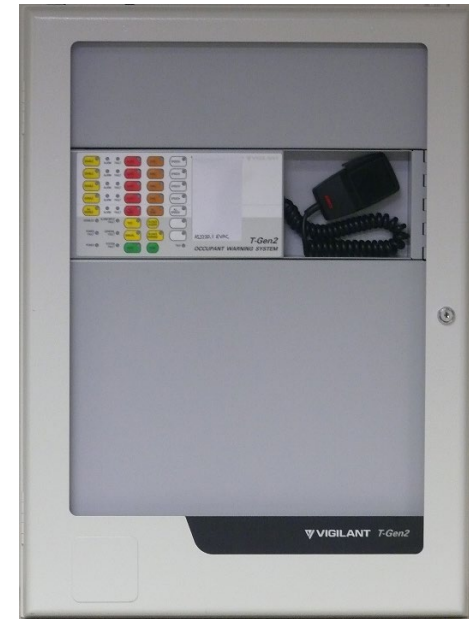
- The EWS supports streaming audio over IP Networks using the BARIX range of Audio-over-IP modules
- One typical application is to use the BARIX modules to allow a master EWS to make paging announcements to multiple slave EWS units connected together on a LAN.



# FP1129 15U Grade 2 EWS

---

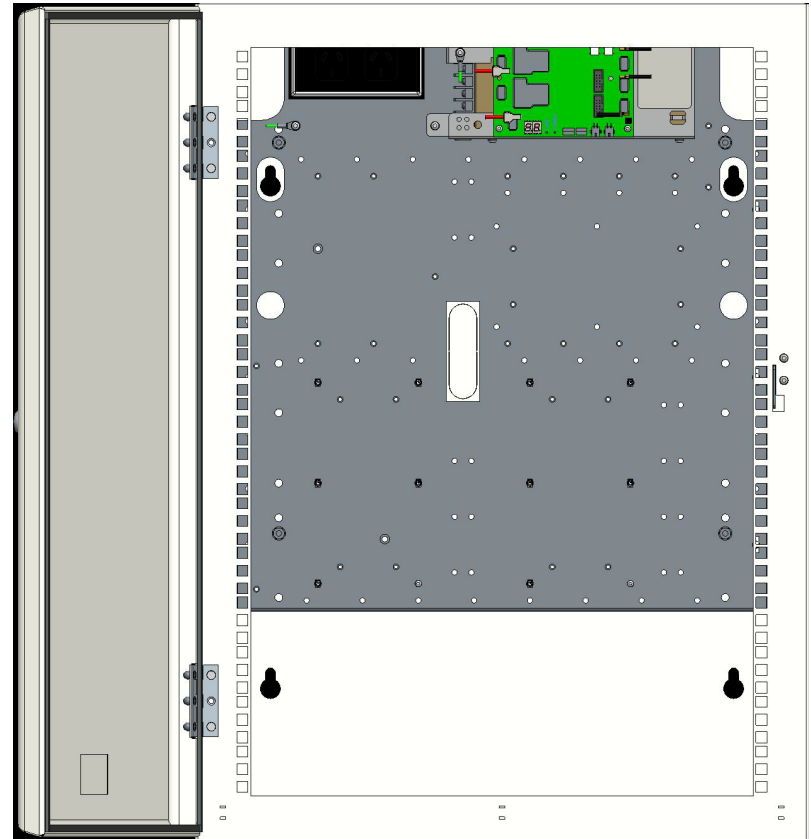
- The Grade 2 EWS can be purchased off the shelf or can be a factory build-to-order item
- Supplied as a 4 Zone EWS and includes:
  - 1 x FP1116 T-Gen120
  - 1 x FP1139 14A PSE
  - 1 x FP1124 Grade 2 UI
  - 1 x FP1117 100V Switching Module
- Installer expandable up to 20 zones by adding a 3U Door with 8 Zone Control Modules, Amplifiers, Switching Modules, HLI, additional PSE
- Room for 2 x 40AH Batteries



FP1129 EWS

# FP1130 15U Grade 2 EWS Expansion Cabinet

- Supplied as a 15U cabinet with blank door and includes:
  - 1 x FP1139 14A PSE
  - 1 x Gearplate
- Installer expandable by adding Amplifiers, Switching Modules, HLI, additional PSE
- Room for 2 x 40AH Batteries



# Grade 2 Customer Benefits

---

Grade 2 Item	Feature	Customer Benefits
Grade 2 User Interface Extender Door	Additional 8 zone Extender Interface modules	Expandable to 20 zones
Grade 2	Cascade Sequences	Ability to create your own Cascade using SmartConfig
Grade 2	Programmable configuration, user buttons and messages	Customise local warning messages, drills or tests.
Grade 2 Expansion	Expandable by adding extra T- Gen2 and Splitter / Switching Modules	Accommodate larger sites or site expansion
Grade 2 Area Mapping	The T-Gen2 in combination with one or more Switching Modules allows any source of audio to be mapped to any area.	Multiple areas can be combined and PA addressed all at the same time.

# T-Gen2 Product Range Grade 2

---

- FP1115 T-Gen 60 Class D (Digital) 60 watt amplifier
- FP1116 T-Gen 120 Class D (Digital) 120 watt amplifier
- FP1117 100V Switching Module
- FP1118 100V Splitter Module
- FP1124 Grade 2 User Interface 3U Door (Grey) for VIGILANT panels
- FP1125 Grade 2 User Interface 3U Door (Black) for SIMPLEX panels
- FP1126 Grade 2 16 Zone Extender Door (Grey, 8 zones fitted)
- FP1127 Grade 2 16 Zone Extender Door (Black, 8 zones fitted)



# T-Gen2 Product Range Grade 2 continued

---

- FP1128            Grade 2 8 Zone Expansion Kit (for FP1126, FP1127)
- FP1129            15U Grade 2 EWS (4 Zone UI, T-Gen 120, SM, 14A PSE)
- FP1130            15U EWS Expansion Cabinet (14A PSE)
- FP1143            T-Gen2 High Level Interface

