



## T-Gen2 60W/120W Occupant Warning System Sales Presentation

# T-Gen2

- The VIGILANT T-Gen2 is an Emergency Warning System (EWS) that generates emergency warning tones and messages for occupant warning, where a full EWCIE to AS 1670.4 is not required.
- The T-Gen2 comprises of 60W or 120w amplifier cards, 100V speaker line, digitized speech messages plus optional grade 3 user interface.
- The T-Gen2 is typically installed in, powered and activated by a fire panel such as the VIGILANT MX1, SIMPLEX 4100ESi or 3rd party panels.



Grade 3 User interface



MX1 with T-gen2

# Features of 60W & 120W Amplifiers

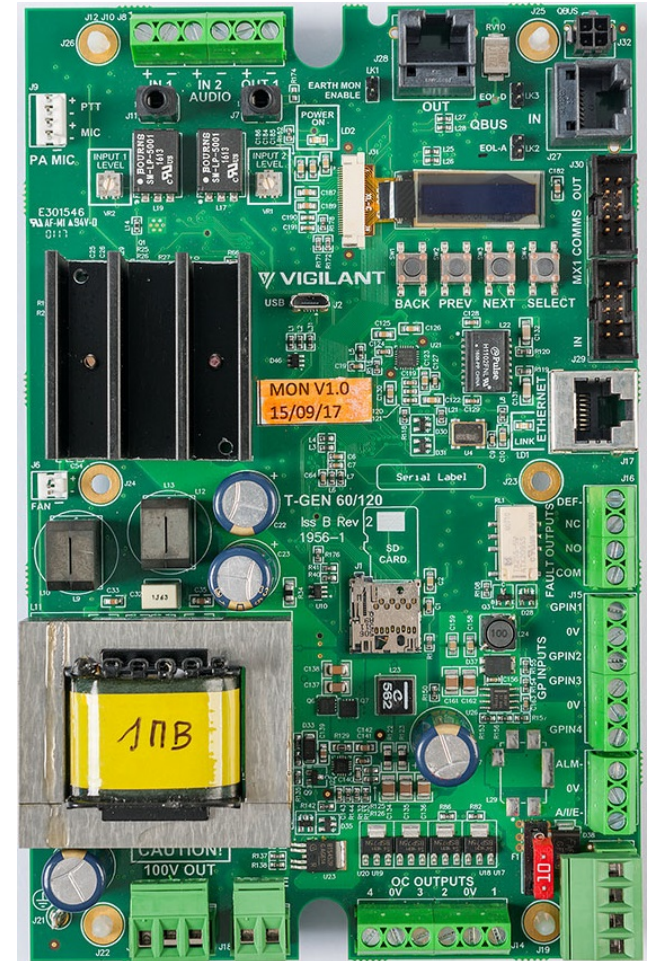
- Designed to comply with AS 4428.16 and NZS 4512:2010
- Pre-recorded Alert and Evacuate messages
- Digital storage of tones / recordable messages
- Direct microphone connection for optional PA Mic
- Supports optional Grade 3 User Interface & supervised Microphone



T-Gen 120 Amplifier

# Features of 60W & 120W Amplifiers

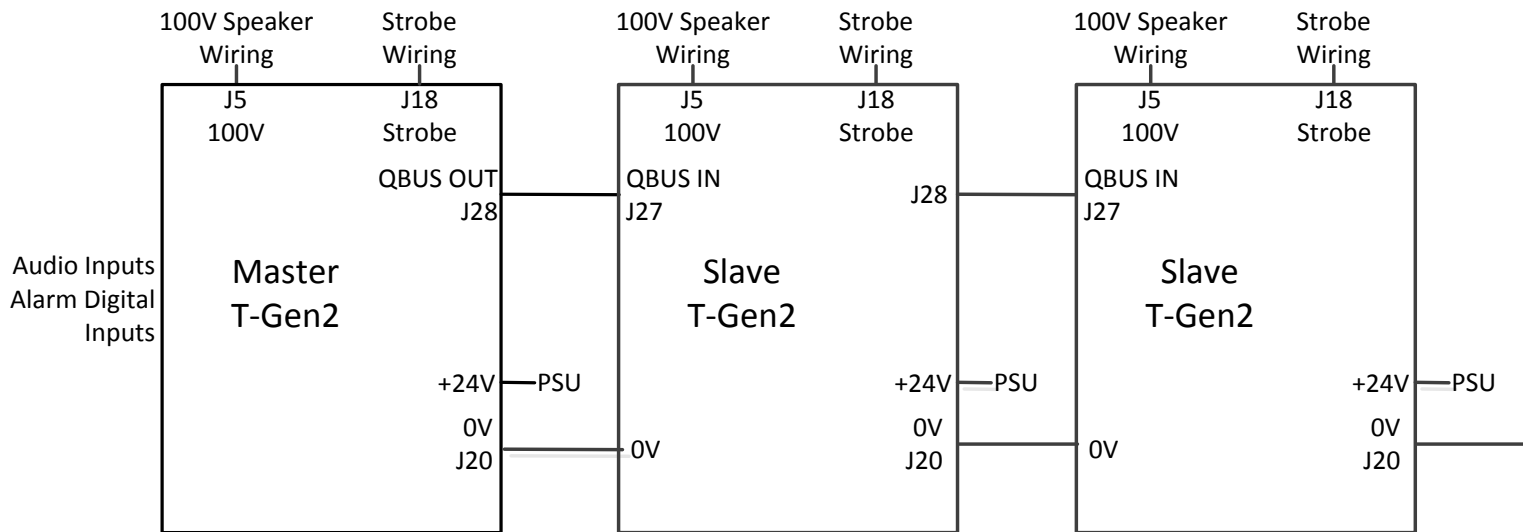
- Same footprint and mounting holes as a T-GEN 50 for easy upgrades
- 2 operating modes:
  - Constant 60 watt power output over full supply voltage range
  - T-GEN 50 Mode where power reduces with voltage supply
- On board O-LED Display for fault diagnostics and default programming for fast set up
- SmarConfig programmable for advanced features



T-Gen 60 Amplifier

# T-Gen2 Slave Connection

T-Gen2 can be connected to up to 9 Slave T-Gen2 amplifiers (60W or 120W) or T-GEN 50 amplifiers to provide additional power output.



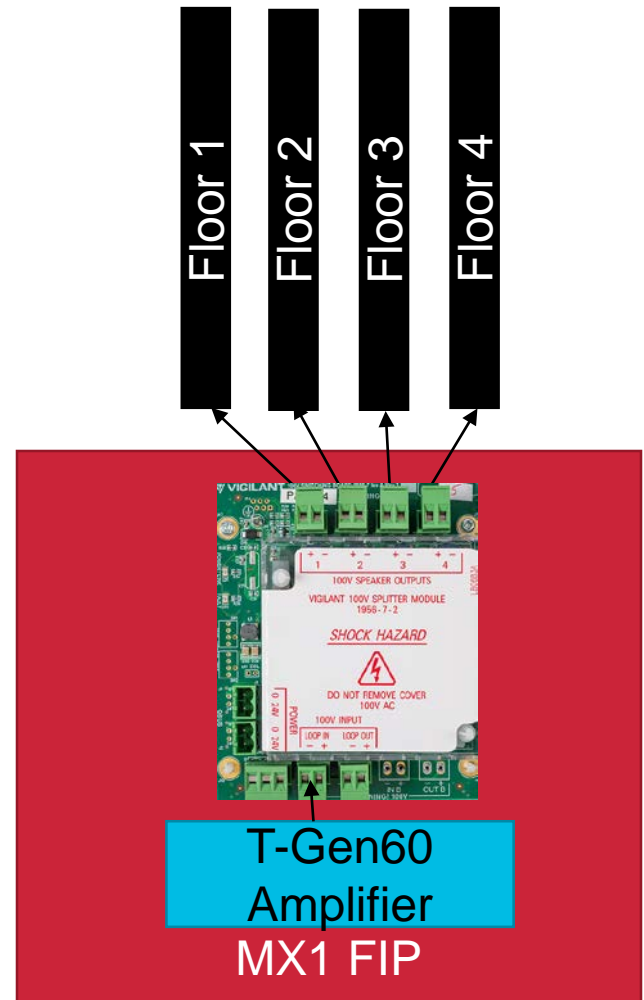
# Grade 3 User Interface



- 19 Inch Rack 3U size Grade 3 User Interface designed to comply with AS 4428.16 (ActivFire Approval pending)
- Two user-programmable buttons for local warning messages, drills or tests
- Controls for Test, Silence Warning, Silence Buzzer, Reset
- Available with or without T-Gen 60 amplifier fitted to the rear
- Grey or black colours to suit Vigilant or Simplex cabinets

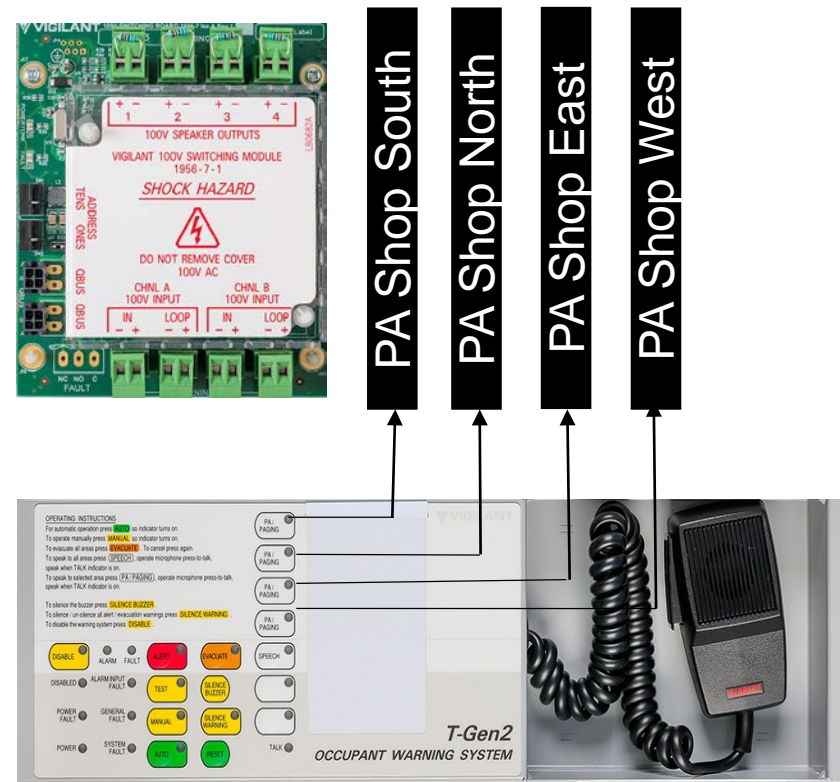
# 100V Splitter Module Features

- Splits a 100V speaker output into four 100V speaker circuits, each with its own supervision for open or short circuit faults
- Automatic disconnection of shorted outputs
- Daisy-chain modules together for multiple outputs
- Outputs can be used to feed different floors or areas >2000m<sup>2</sup>, or different parts of the same floor where resilience under short circuit fault is required.
- Designed to comply with AS 4428.16, ActivFire listing – pending



# 100V Switching Module Features

- 4 x 100V Speaker outputs with individual open/short circuit supervision
- Multiple outputs configurable to provide 1-4 areas of PA paging
- Outputs can be used to feed different floors or areas >2000m2, or different parts of the same floor
- Daisy-chain modules together for multiple outputs
- Designed to comply with AS 4428.16 ActivFire listing – pending





# Building Occupant Warning panel Features

- The VIGILANT T-Gen2 BOWS is a self-contained Grade 3 Emergency Warning System (EWS) with digitized speech messages
- Designed to comply with AS 4428.16 ActivFire Approval pending
- Two user-programmable buttons for local warning messages, drills or tests
- Controls for Test, Silence Warning, Silence Buzzer, Reset

FP1137, Cream Wrinkle  
18U, 120W  
Expand to 240W



FP1136, Titania 8U, 60W.  
Expand to 120W



Available in 2 models

# T-Gen2 Customer Benefits

---

<b>T-Gen2 Item</b>	<b>Feature</b>	<b>Customer Benefits</b>
T-Gen2	60W or 120W D-Class Amplifiers	High quality audio and 2 modes of operation to suit PSU load
T-Gen2	Additional storage via micro SD card	Storage and activation of site customisable non-emergency messages
Grade 3 User Interface	Programmable configuration, user buttons and messages	Easy to use & can activate local warning messages, drills or tests
100V Switching Module	Switchable 4 way outputs	Customise up to 4 PA paging areas
100V Splitter Module	Can be installed with most amplifiers to a load of 120W	Use to retrofit existing sites
BOWS	Expandable by adding extra T-Gen2 and Splitter / Switching Modules	Accommodate larger sites or site expansion