

NOTES:

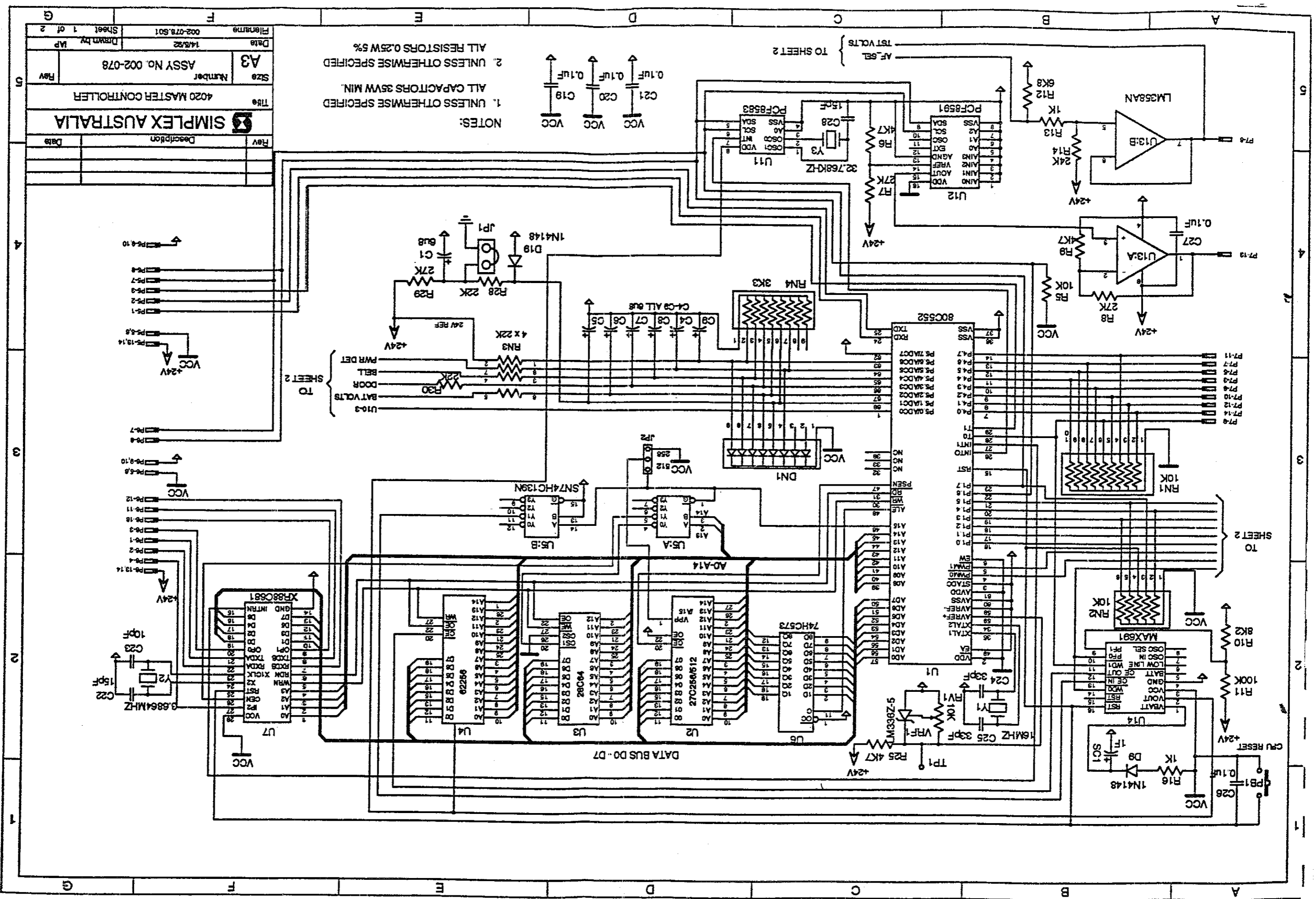
- UNLESS OTHERWISE SPECIFIED ALL CAPACITORS 35V MIN.
- UNLESS OTHERWISE SPECIFIED ALL RESISTORS 0.25W 5%.

SIMPLEX AUSTRALIA

4020 MASTER CONTROLLER

ASSEMBLY No. 002-078

Size A3



TO SHEET 2

TO SHEET 2

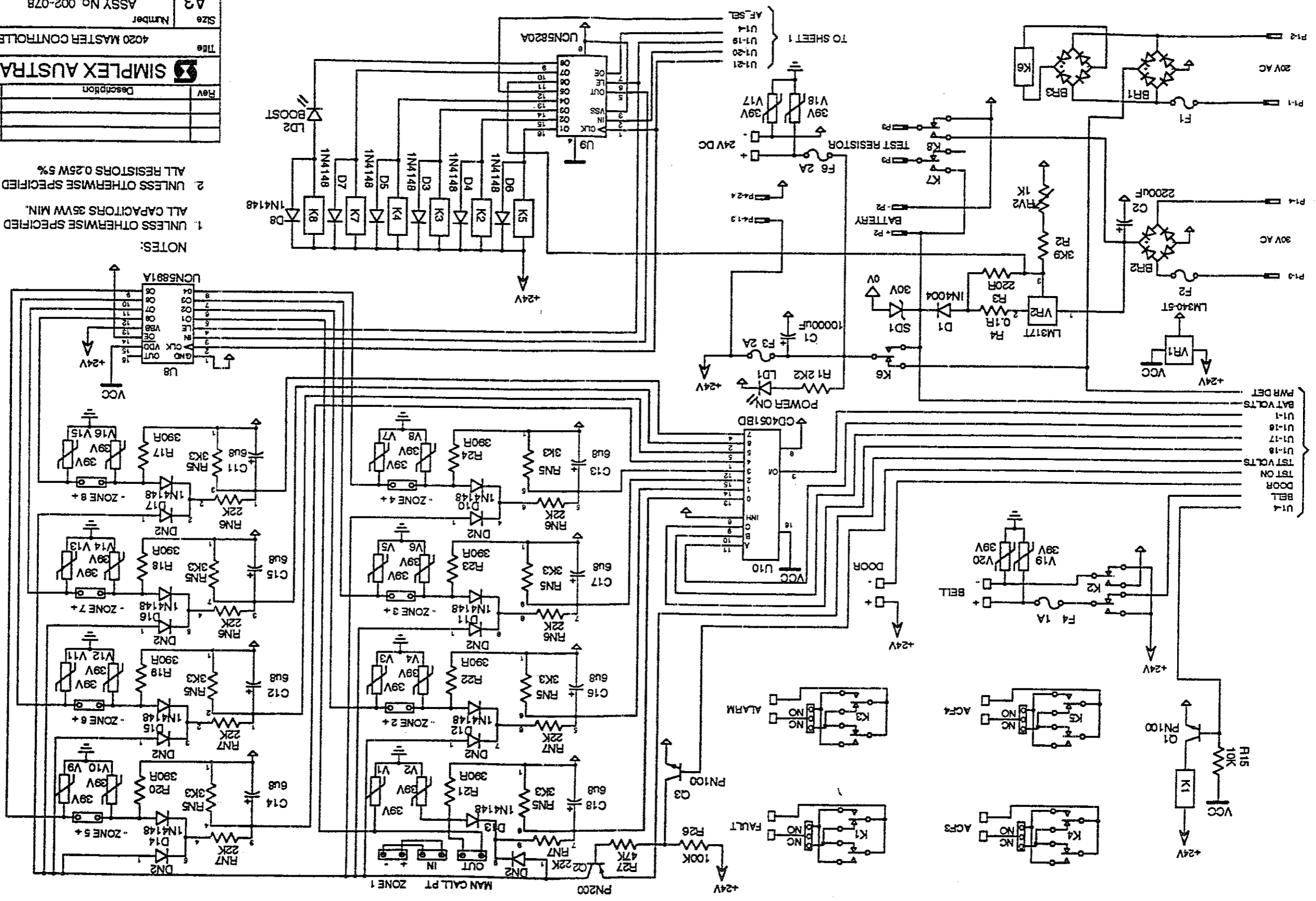
TO SHEET 2

DATA BUS DO - D7

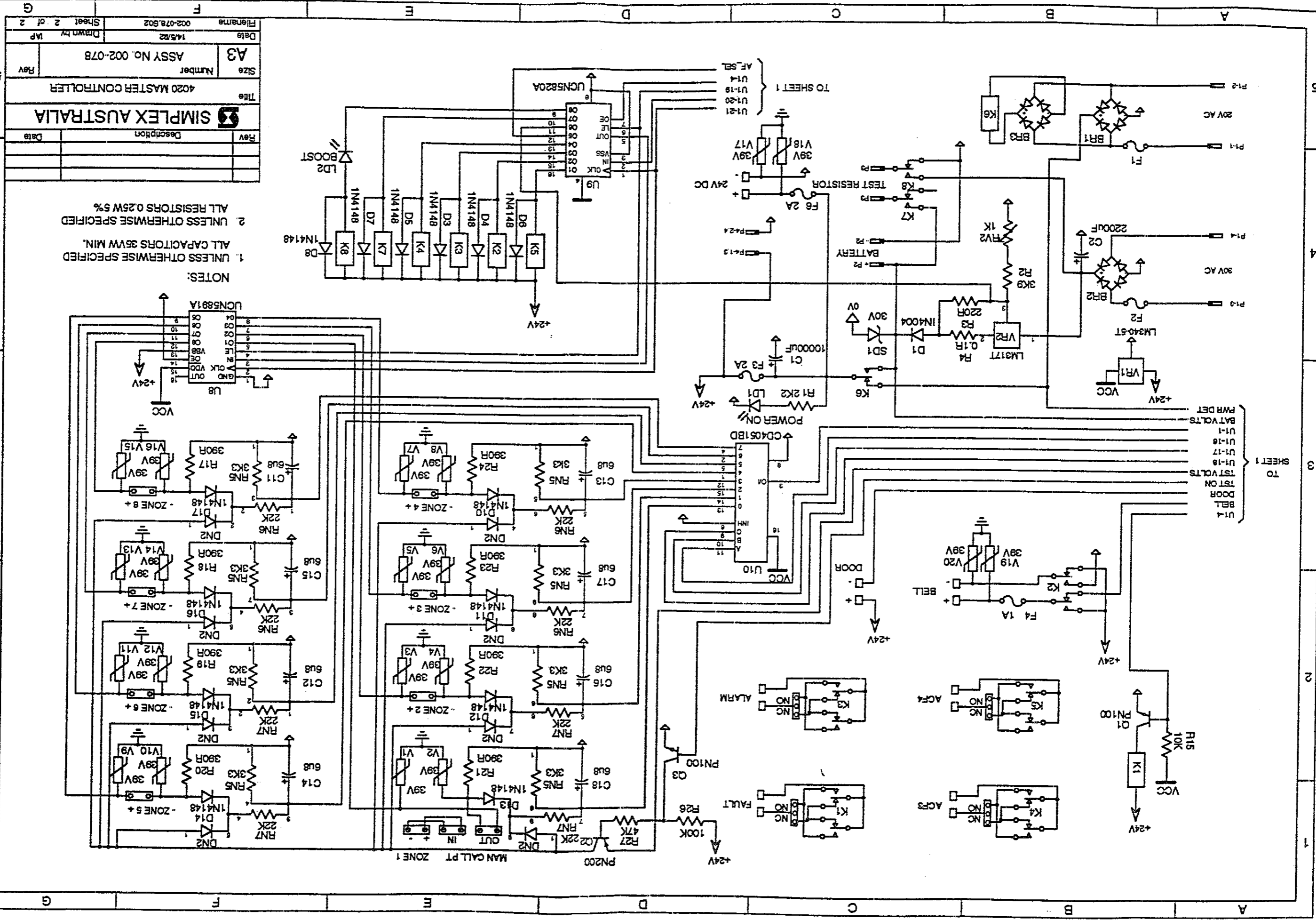
TO SHEET 2

File Name	002-078.S02
Date	14/5/82
Drawn by	JAP
Sheet	2 of 2
Size	A3
Number	ASSTY No. 002-078
Title	4020 MASTER CONTROLLER
SIMPLEX AUSTRALIA	
Description	
Date	

NOTES:
 1. UNLESS OTHERWISE SPECIFIED
 ALL CAPACITORS 35VW MIN.
 2. UNLESS OTHERWISE SPECIFIED
 ALL RESISTORS 0.25W 5%

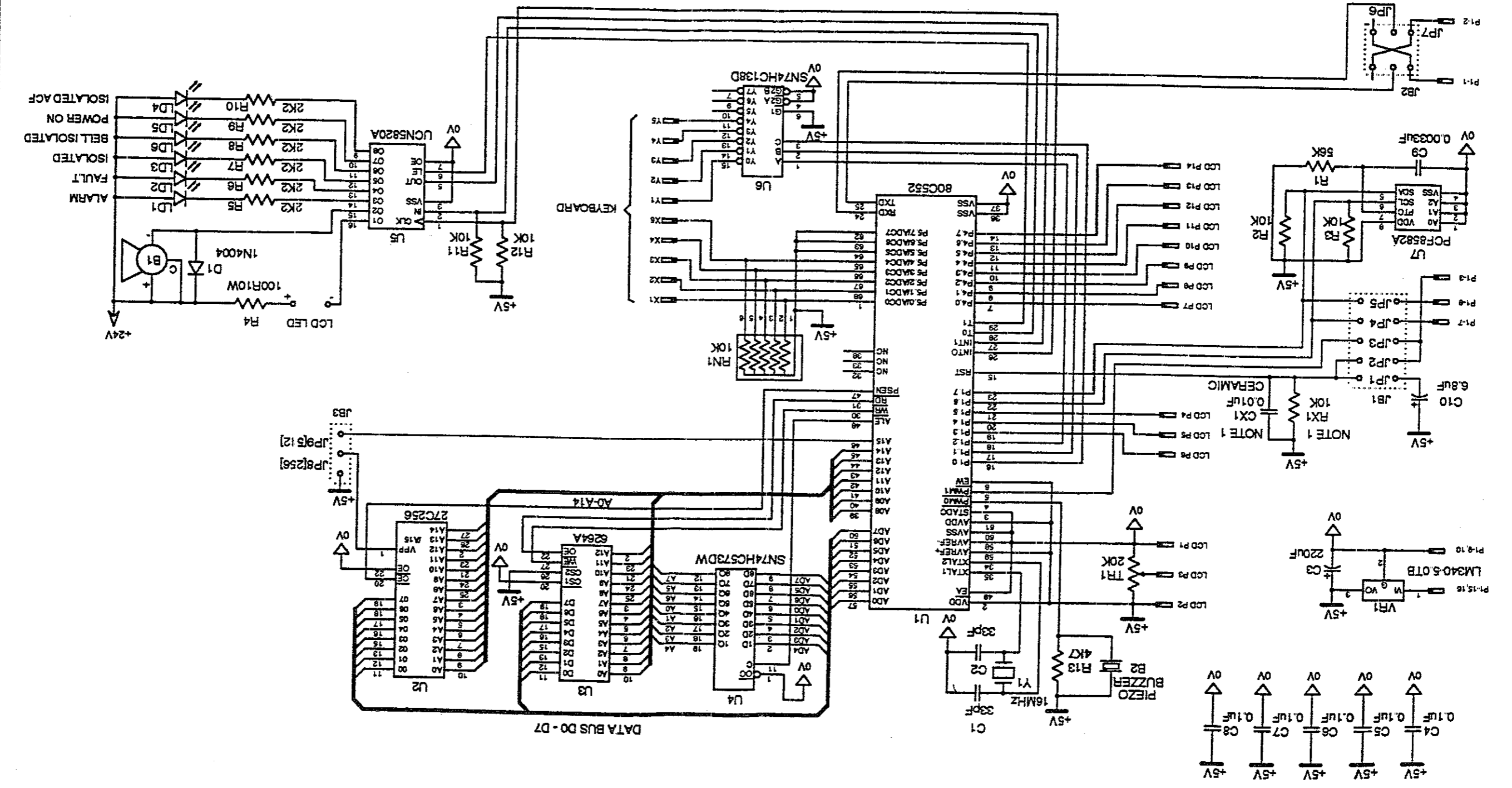


1
2
3
4
5



Rev	Date	Description
Size	Number	Title
A3	ASSTY No. 002-080	4020 DISPLAY BOARD
Date	29/01/82	Drawn by S.G.
File Name	002-080.S01	Sheet 1 of 1

- NOTES:
1. RX1 AND CX1 ARE ADDITIONS FITTED TO UNDERSIDE OF PCB 001-915A
 2. UNLESS OTHERWISE SPECIFIED ALL CAPACITORS 35VW MIN.
 3. UNLESS OTHERWISE SPECIFIED ALL RESISTORS 0.25W 5%



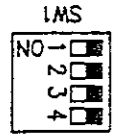
5
4
3
2
1

A
B
C
D
E
F
G

4020 SERIES		DRAWN S.G.		DWC No.		4020/3	
INTERCONNECTION DIAGRAM		TRACED		CHECKED GF/BC			
SIMPLEX AUSTRALIA		SCALE		PASSED		DATE	
ISSUE		REVISIONS		DATE		DATE	

ACAD FILE NUMBER: 4020_3.DWG

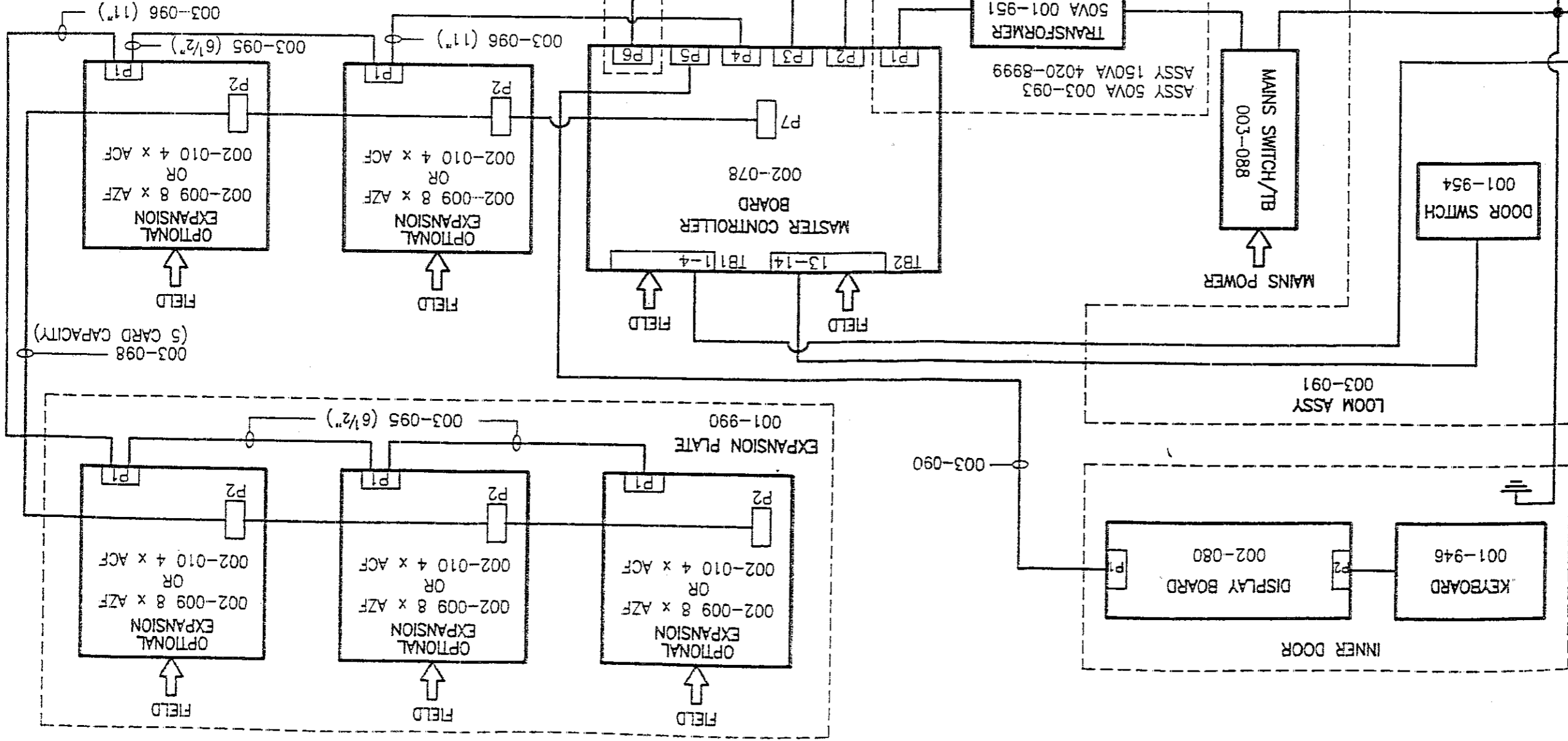
CARD	1	2	3	4	5
CARD 1	OFF	OFF	OFF	OFF	OFF
CARD 2	OFF	OFF	OFF	ON	OFF
CARD 3	OFF	OFF	OFF	ON	OFF
CARD 4	OFF	OFF	OFF	ON	OFF
CARD 5	OFF	OFF	OFF	ON	OFF



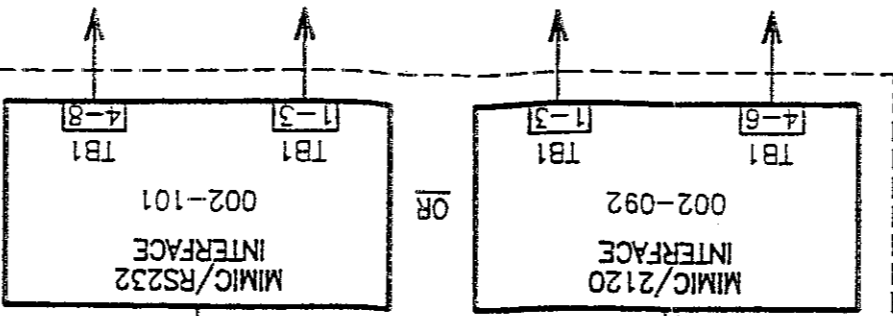
EXPANSION CARD DIP SWITCH

SW1-1 SW1-2 SW1-3 SW1-4

NOTES:
1 REVISION SUFFIX MAY APPLY TO SOME PART NUMBERS
2 EXPANSION CARD SWITCH SETTINGS:



SCUS 4602-9101
AND/OR
16 PNT DRIVER 4602-7101
AND/OR
32 ZONE MIMIC 003-111
PRINTER
1990-4020
ETC



2x12V BATTERIES
7AH 2081-2407
(NO EXPANSION)
12AH 2081-2412
(TO 24 AZF)

THERMAL CUT-OUT
001-896

LOAD RESISTOR
20R/34R
001-941

BGA
2099-0004
OUTER DOOR

MAINS SWITCH/TB
003-088

DOOR SWITCH
001-954

TRANSFORMER
150VA 001-951
ASSY 150VA 4020-8999

LOOM ASSY
003-091

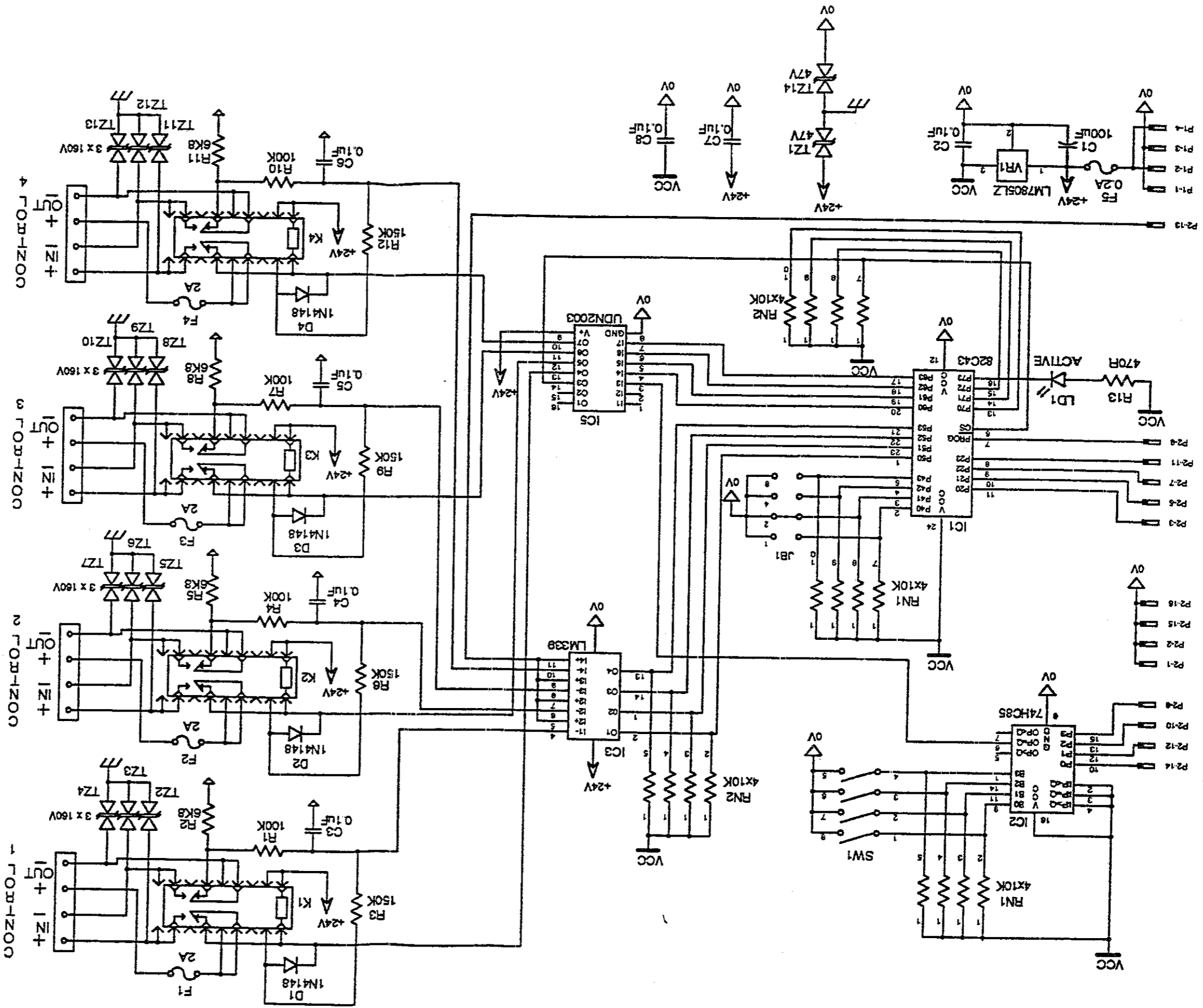
DISPLAY BOARD
002-080

KEYBOARD
001-946

INNER DOOR

File Name	002-010.S01
Date	20/11/82
Drawn by	S.G.
Sheet	1 of 1
Size	A3
Number	ASSY No. 002-010
Rev	
Title	ET/24020 4 POINT CONTROL
SIMPLEX AUSTRALIA	
Rev	Description

NOTES:
 1. UNLESS OTHERWISE SPECIFIED
 ALL CAPACITORS 35VW MIN.
 2. UNLESS OTHERWISE SPECIFIED
 ALL RESISTORS 0.25W 5%



A B C D E F G

1 2 3 4 5