

EA0355 DUAL VAD

Installation Instructions

1. GENERAL DESCRIPTION

This sheet provides guidance for the installation of the EA0355 Dual VAD (Visual Alarm Device). The Dual VAD is designed to deliver two distinct signals: a white flash and a red flash.

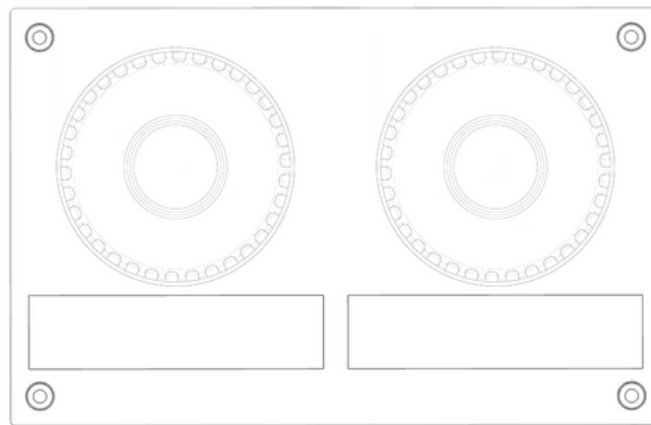


Fig 1. EA0355 Dual VAD

2. KIT CONTENTS

This kit contains:

- 1 x EA0355 Dual VAD with pre-fitted 'EVACUATE' label.
- 1 x 'FIRE' label with adhesive backing.
- 1 x 'ALERT' label with adhesive backing.
- 4 x Phillips Pan Head #10 x 3/4 screws.
- 4 x Plugs for screw-holes.
- 1 x INFO-EA0355 Installation instructions.

3. LABELS

The Dual VAD unit includes a 'EVACUATE' label positioned beneath the right VAD. Additionally, two label options are provided for the left VAD: 'FIRE' and 'ALERT'.

To affix a label, peel off the backing from the chosen label ('FIRE' or 'ALERT') and carefully adhere it to the slot located below the left VAD. Firmly press down on the label for a duration of 15 seconds to ensure secure adhesion.

4. WIRING DETAILS

For wiring details on connecting VADs, please refer to the following manuals:

- LT0088 QE90 Installation & Commissioning Manual.
- LT0697 QE20 Relay Output Module Installation guide.

5. MOUNTING THE DUAL VAD

The Dual VAD is designed to be mounted on flat walls or ceilings. It should be oriented so that the labels on can be viewed easily upon entering the room. To ensure stability, use the four screws provided to secure it to the surface.

Once the Dual VAD has been mounted, insert plugs to conceal the screw holes, providing a clean and finished appearance.

6. SPECIFICATIONS

Voltage: 9 - 60VDC

Current: 10 - 25mA (dependent on setting)

Coverage (y): 7.5m (Switchable to 3m)

Mounting Height (x): 3m (max)

Coverage Volume Code: C-3-7.5

Coverage Volume: 132m³ (21m³)

Flash Rate: 1Hz (Switchable to 0.5Hz)

Operating Temperature: -25 to +70 Degrees Celsius

Monitoring: Reverse Polarity Protection

Weight: TBC

Dimensions (HWD): 265mm x 170mm x 70mm

Body Colour: White

Flash Colour: White or Red