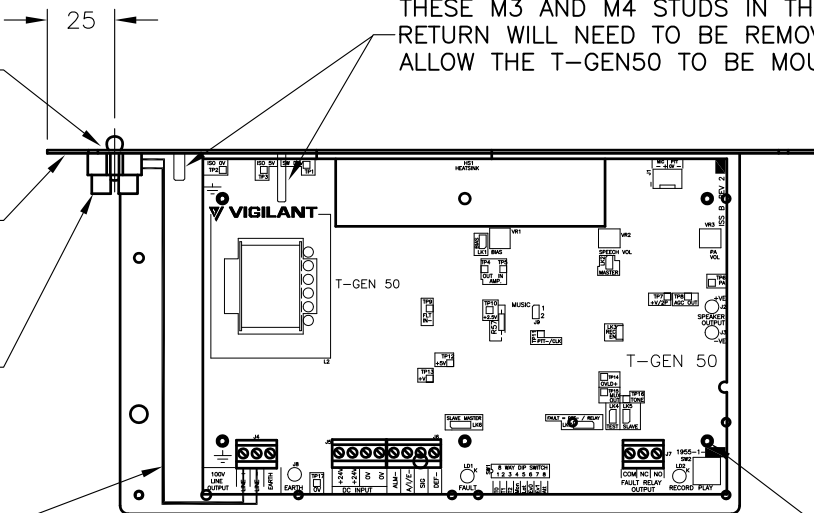


DRILL 2 OFF  $\phi$ 3.500 HOLES,  
10mm APART FOR MOUNTING  
CONNECTOR.

PRINT LB0375 AS PER  
ROUTINGS AND FIT NEXT  
TO 2 WAY CONNECTOR.

CONNECTOR CN0596  
FITTED TO BRACKET WITH  
2 OFF 1/8" POP RIVETS  
(HW0211).

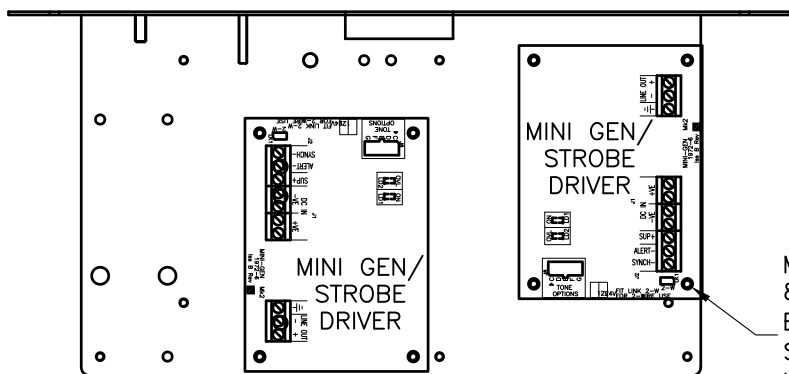
TWIN TPS FLEX WIRE,  
WR0067, 220mm LONG.



THESE M3 AND M4 STUDS IN THE BRACKET  
RETURN WILL NEED TO BE REMOVED TO  
ALLOW THE T-GEN50 TO BE MOUNTED.

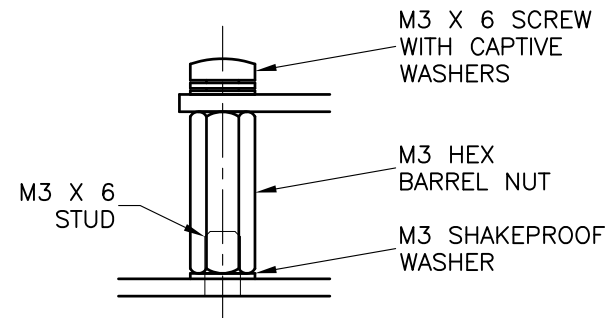
T-GEN50 PCB IS MOUNTED ON  
5 OFF M3 STUDS USING 5 OFF  
BARREL NUTS (FA2016), 5 OFF M3  
SHAKEPROOF WASHERS (WA0010) AND  
M3 SCREWS (SC0172) SUPPLIED WITH  
KIT ME0419.

T-GEN50 MOUNTING DETAILS



MINI-GEN/STROBE DRIVER MTG DETAILS

MINI-GEN/STROBE DRIVER PCBs ARE MOUNTED ON  
8 OFF M3 STUDS USING 8 OFF  
BARREL NUTS (FA2016), 8 OFF M3  
SHAKEPROOF WASHERS (WA0010) AND  
M3 SCREWS (SC0172) SUPPLIED WITH  
KIT ME0419.



TYPICAL PCB  
MOUNTING DETAIL

CONFIDENTIAL: THIS DOCUMENT MUST NOT BE COPIED NOR THE CONTENTS PASSED  
ON TO ANY THIRD PARTY WITHOUT THE CONSENT OF THE COMPANY.

UNLESS OTHERWISE STATED: ALL DIMENSIONS IN MILLIMETRES. DO NOT SCALE. TOLERANCES ARE TO BE:  
1 DECIMAL PLACE  $\pm 0.5$ , 2 DECIMAL PLACES  $\pm 0.3$ , 3 DECIMAL PLACES  $\pm 0.1$

3rd ANGLE PROJECTION

ISS/REV	AMENDMENTS	ECO	DRN	CHKD	AUTH	APVD	DATE
A	ORIGINAL	-	KJS	RAC	LSC	DSCP	5-12-01
B	BRACKET CHANGED	3567	KJS	PAA	LSC	DVS	26-8-04
C	CN0596 AND WR0067 ADDED TO T-GEN50 ASSY	3665	KJS	GEL	LSC	DP	24-5-05
D	STROBE DRIVER REFERENCE ADDED.	3787	KJS	GEL	LSC	DP	21-8-06
E	WR0067 WAS 150mm LONG.	4467	KJS	LSC	LSC	DP	19-3-13

**tyco**  
Fire Protection Products

TYCO FIRE PROTECTION PRODUCTS  
17 MARY MULLER DRIVE  
P.O. BOX 19545  
CHRISTCHURCH, PH: +64 3 3895096  
NEW ZEALAND. FAX: +64 3 3895938

4100ES  
ME0419 BRACKET UTILISATION  
SALES DRAWING

DRAWING No: 1976-57 SHEET 1 of 1

A3 ISS/REV E PART No: LT0303